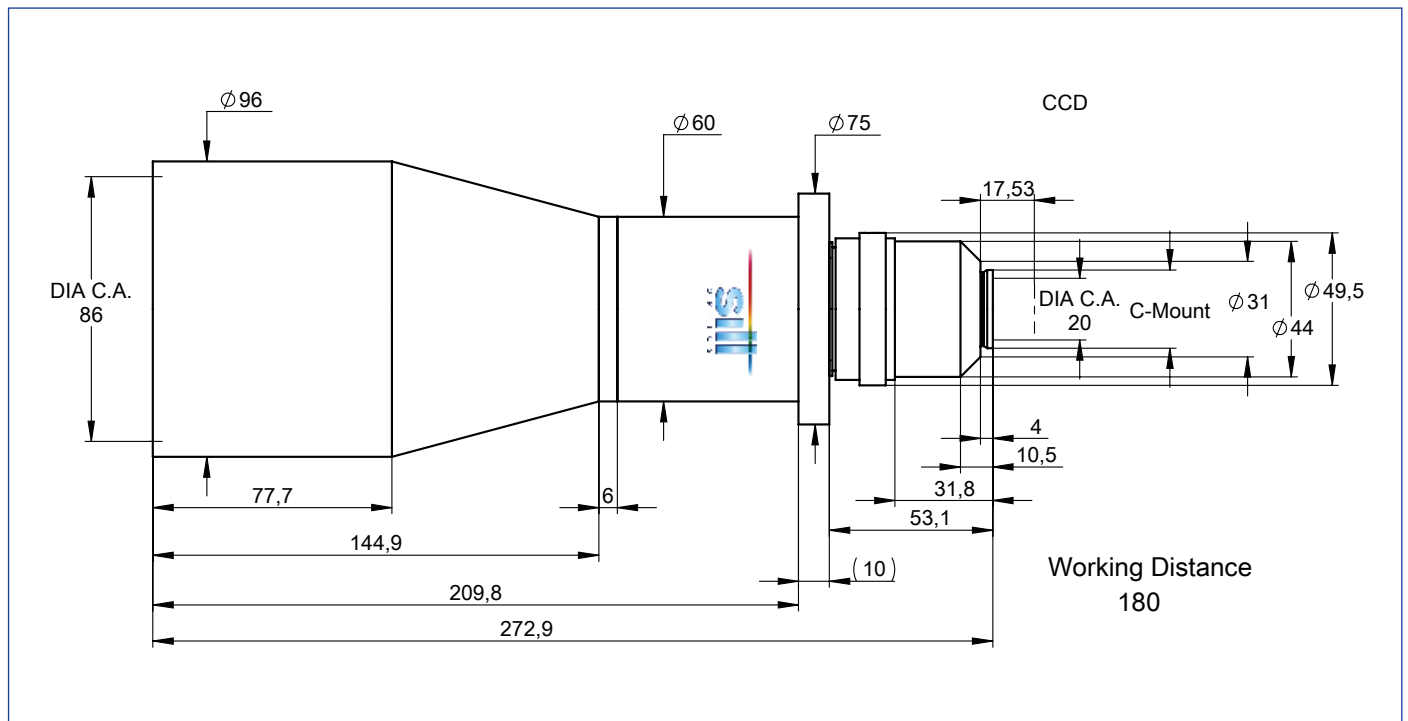


DATA SHEET



S5LPJ6060 Correctal® T85/0.29

- telecentric lens
- with c-mount
- with variable iris



outline drawing

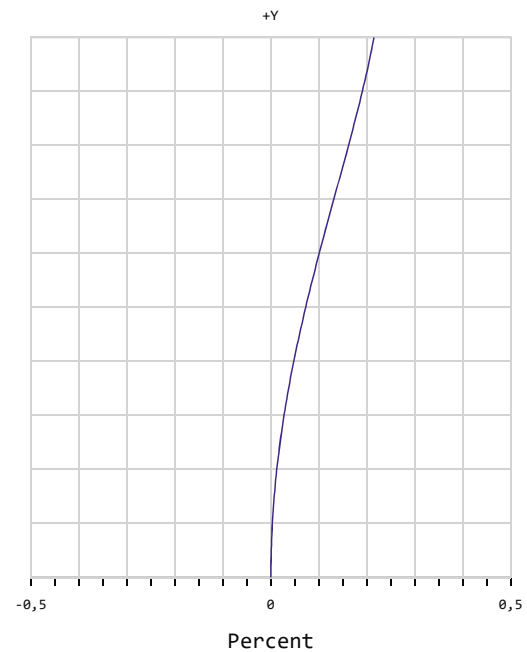
DATA SHEET



specifications

article number	S5LPJ6060
design wavelength [nm]	450-700
magnification (+/-5%)	0.292
working distance [mm] (+/-2%)	180.0
object size [mm]	24.6 x 18.1
at a chip size of [mm]	7.2 x 5.3 (1/1.8")
distortion [%]	0.09
object size [mm]	30.1 x 22.6
at a chip size of [mm]	8.8 x 6.6 (2/3")
distortion [%]	0.13
object size [mm]	43.8 x 32.8
at a chip size of [mm]	12.8 x 9.6 (1")
distortion [%]	0.21
max. telecentricity error [°]	0.032
numerical aperture	0.012
weight [kg]	1.60
flange back distance [mm]	17.53
accessory	S5SET0020, S5SET6030

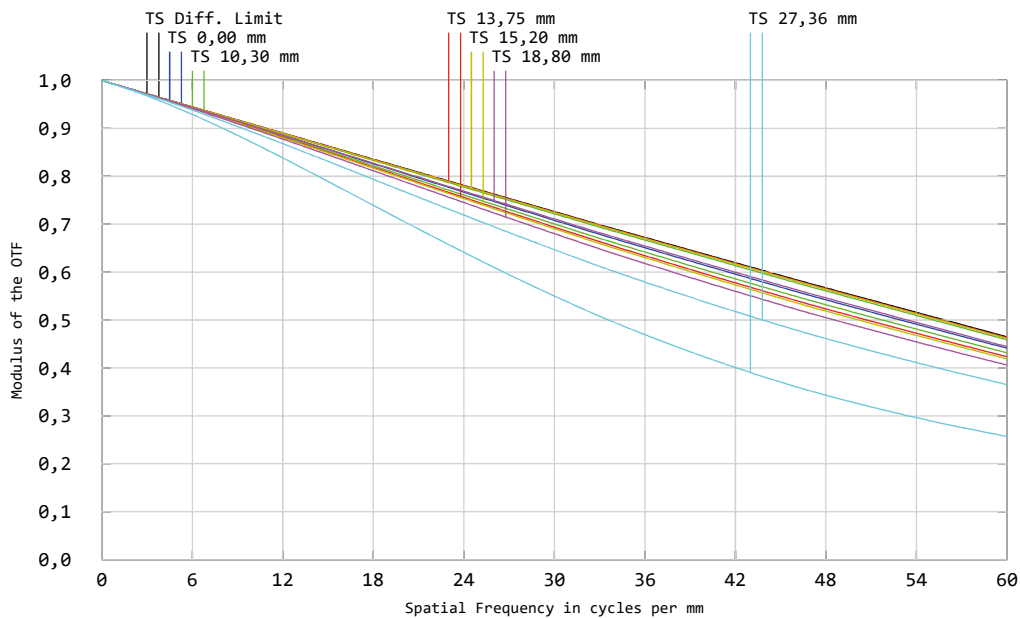
Distortion for 586 nm



x = distortion

y = max. field

MTF for various object heights at 586 nm



T. tangential

S. sagittal

graphs and data given by design.

Sill Optics
GmbH & Co. KG
Johann-Höllfritsch-Straße 13
D-90530 Wendelstein

Copyright © Sill Optics GmbH & Co. KG
All rights reserved.
Issue C
Published: 18.10.2018

Tel.: +49 (0) 9129 9023 0
Fax: +49 (0) 9129 9023 23
E-mail: info@silloptics.de
Web: www.silloptics.de

All information contained in this data sheet is for information purposes only and is not binding. The content is subject to change at any time without notification, all information without guarantee. We reserve the right to make constructional changes in the course of product improvement.