

Compact C-Mount lenses for up to 5 megapixel 1.3" sensor. This 35 mm focal length lens covers an image circle of 24 mm, which enables to achieve a large field of view at a short working distance.

The lockable focus and iris setting, a robust housing and the 400 nm to 1000 nm broadband AR coating makes this lens ideal for measurement applications in factory automation. For harsh environmental condition a ruggedized version, with special fixed mechanics is available.

A version with motorized p-iris is offered, too. Also available lenses for 1.3" sensor is a 28 mm focal length lens and a series of 5 focal lengths, high resolution anti-shading lenses.



Xenoplan 2.0/35

## Key features

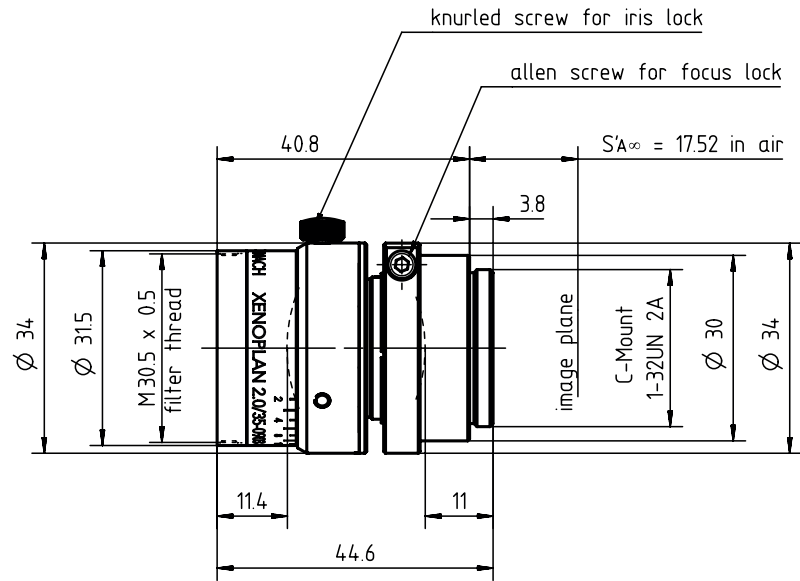
- For up to 1.3" 5 megapixel sensor
- Covers 24 mm image circle
- Version with motorized p-iris available
- 400 - 1000 nm broadband AR coating
- Ruggedized version available
- Focus and iris setting lockable

## Applications

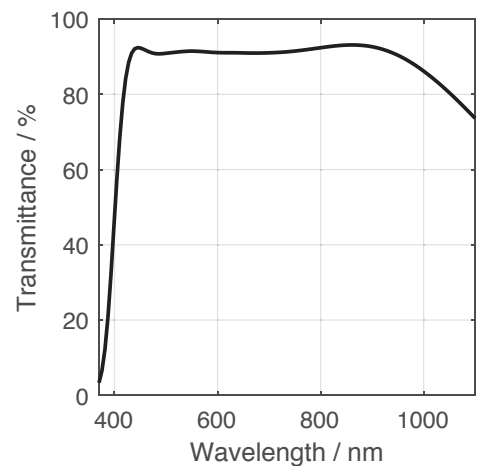
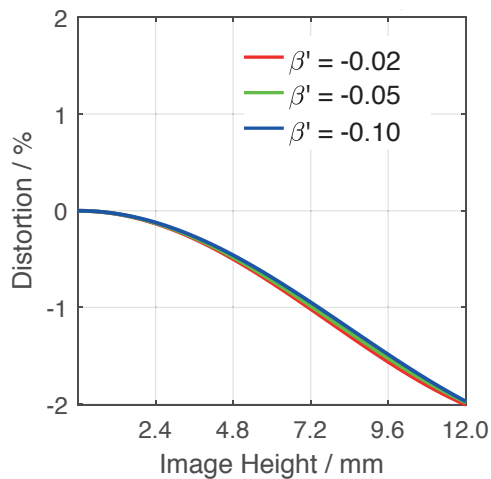
- Traffic surveillance
- 2D measurement
- Automated inspection systems

Name	Xenoplan 2.0/35
Type	-0903
Focal Length [mm]	35.07
Magnification	-0.5
Image circle [mm]	30
Resolution [ $\mu\text{m}$ ]	6.45
F/# range	2.00 ... 16
NA	0.25
Interface	C-Mount
Working distance [mm]	80.41
AoV [°]	46.31
Focus control	manual
Transmission [nm]	400 - 1000
Filter thread [mm]	M30.5 x 0.5
Dimensions L x D [mm]	44.6 x 34.0

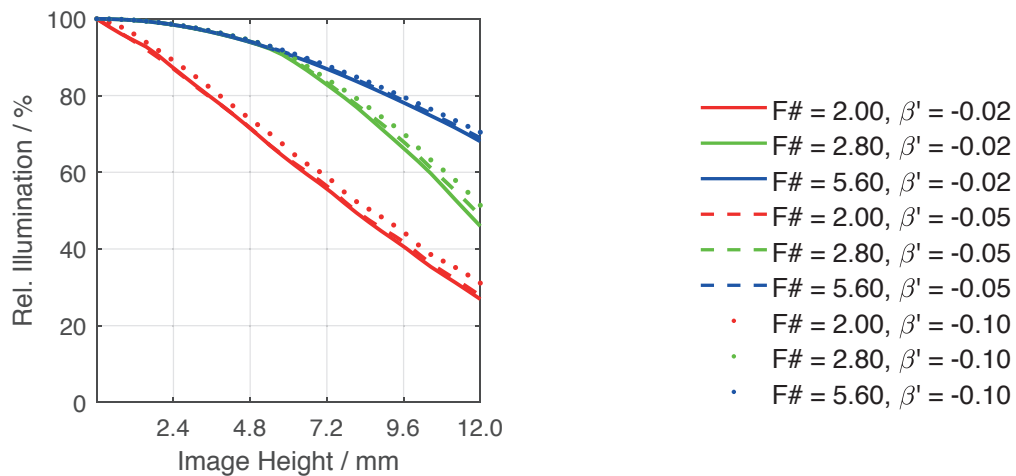
Name	Xenoplan 2.0/35
Weight [g]	90
Storage temperature [°C]	-25 ... +70
$f'_{\text{eff}}$ [mm]	35.07
$S_F$ [mm]	-19.18
$S'_{F'}$ [mm]	24.69
HH' [mm]	-3.88
$\beta'_P$	1.060
$S_{EP}$ [mm]	13.92
$S'_{AP}$ [mm]	-12.47
$\Sigma d$ [mm]	22.39
ID	1075451



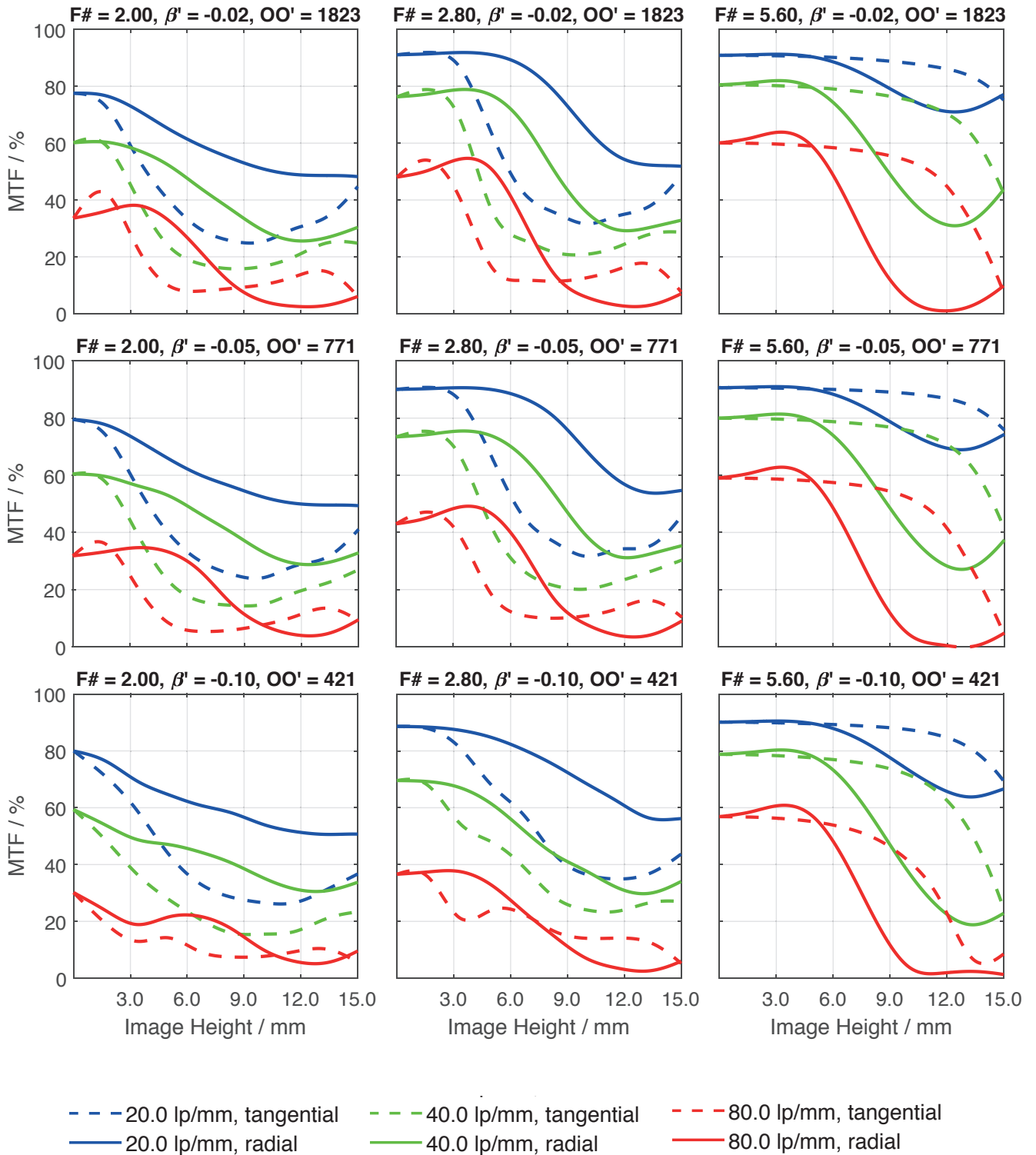
**Distortion vs. Image Height**      **Transmittance vs. Wavelength**



**Relative Illumination vs. Image Height**



Spectrum Name	VIS					
Wavelengths [nm]	425	475	525	575	625	675
Weights	8	16	23	22	19	13



Accessories	Mount	Length	ID
Adapter	CS-Mount Adapter	5 mm	25081
	C-Mount / M42 x 1 Adapter	-	1075817
Ext. Tube	C-Mount	5 mm	39316
	C-Mount	8 mm	39315
	C-Mount	10 mm	39312

# Get more information

Contact our local offices



## Headquarter Germany

Jos. Schneider Optische Werke GmbH  
Ringstraße 132  
55543 Bad Kreuznach  
☎ +49 671 601 205  
✉ [cs@schneiderkreuznach.com](mailto:cs@schneiderkreuznach.com)  
[www.schneiderkreuznach.com](http://www.schneiderkreuznach.com)

## Offices Worldwide

### China

☎ +86 755 8832 1170  
✉ [shawn.liu@schneider-asiapacific.com](mailto:shawn.liu@schneider-asiapacific.com)

### North America

☎ +1 800 645 7239 (East Coast)  
☎ +1 800 228 1254 (West Coast)  
✉ [info@schneideroptics.com](mailto:info@schneideroptics.com)

### Singapore

☎ +65 9488 0062  
✉ [thongv@schneiderkreuznach.com](mailto:thongv@schneiderkreuznach.com)