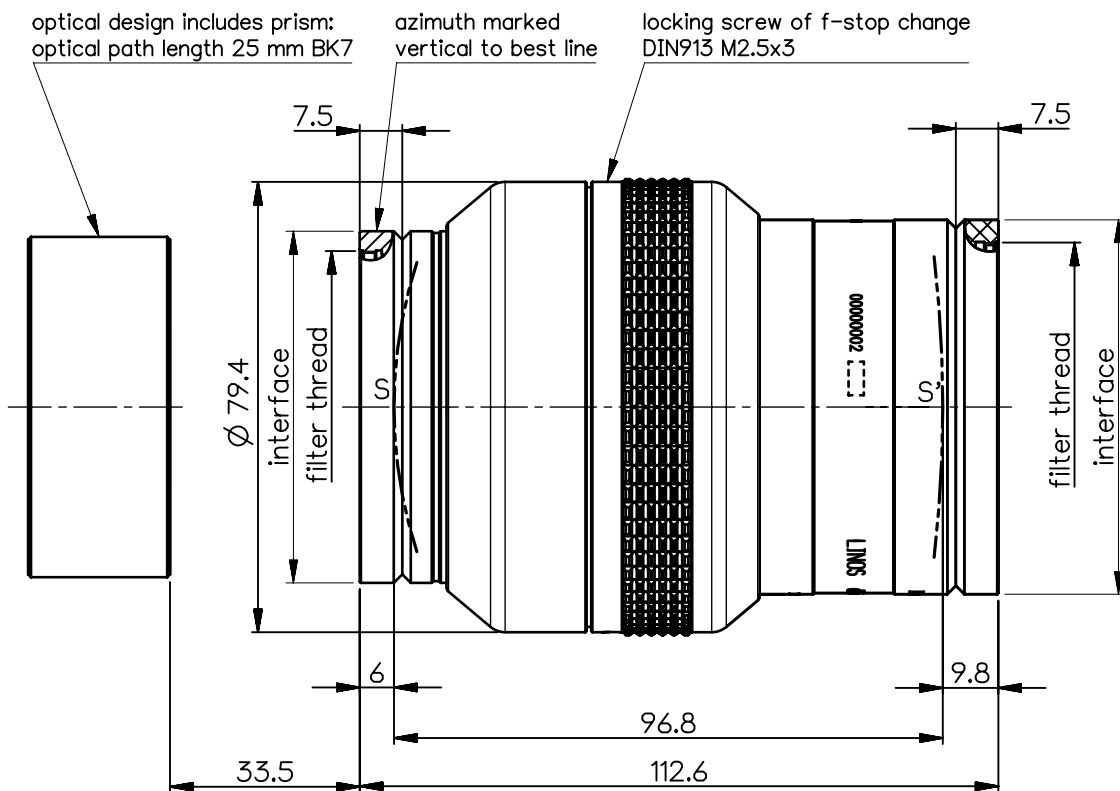
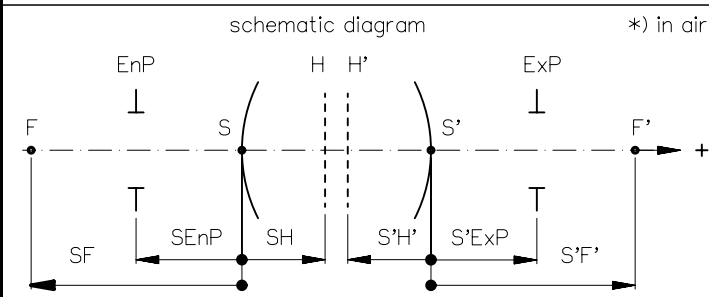


order number	lens name
0703-134-000-20	d.fine HR 2.4/128 3.33x
0703-130-823-00	d.fine HR prism module



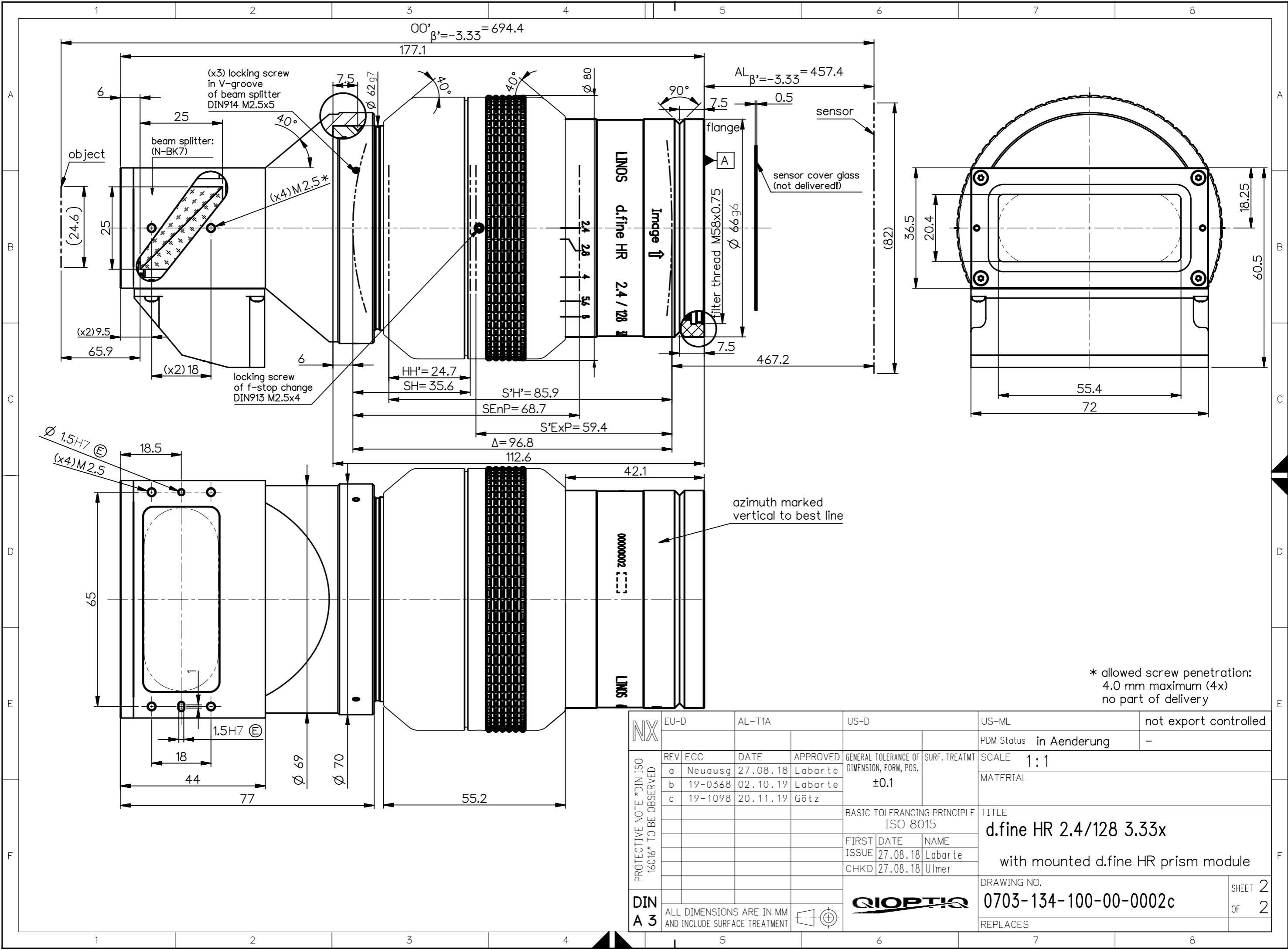
Specification		ON	7608-9151
image circle max. (mm)	82	working distance (mm)	58 ... 62
focal length f' (mm)	127.7 (nom.)	interface	Ø62 g7 / Ø66 g6
magnification β' [range]	-3.33 [-3.2 ... -3.5]	filter thread	M55x0.50 / M58 x0.75
spectral range λ (nm)	400 - 750	weight (g)	1056



design includes CCD cover glass:		yes 0.5 mm N-ZK7		
SF (mm)	-92.1	f-stop	Ø EnP	Ø Exp
S'F' (mm) *)	42.0	2.4	52.2	41.4
HH' (mm) *)	-24.7	2.8	45.4	36.1
SH (mm)	35.6	4	30.6	24.3
S'H' (mm) *)	-85.9	5.6	22.6	17.9
SEnP (mm)	68.7	8	15.9	12.7
S'Exp (mm) *)	-59.4			

NX	EU-D	AL-T1A	US-D	US-ML	not export controlled	
				PDM-Status in Aenderung	-	
	Schutzvermerk "DIN ISO 16016" beachten	Rev. a	Aenderung Neuausg	Datum 18.12.19	Freigabe Götz	zul. Abweichung für Mass, Form & Lage ISO 2768-mH
		Tolerierung ISO 8015				
Ersterstellung 18.12.19 Götz						
Prüfung 18.12.19 Gressierer				Werkstoff		
				Benennung		
				d.fine HR 2.4/128 3.33x		
				Zeichnungsnummer		
				0703-134-100-00-0001c		
				Blatt 1 von 1		
DIN A 4	Alle Maße in mm, inklusive Oberflächenbehandlung			Ersatz für		



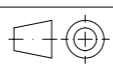


* allowed screw penetration:
4.0 mm maximum (4x)
no part of delivery

NX PROTECTIVE NOTE "DIN ISO 16016" TO BE OBSERVED DIN A 3	EU-D	AL-T1A	US-D	US-ML	not export controlled
	REV	ECC	DATE	APPROVED	GENERAL TOLERANCE OF DIMENSION, FORM, POS.
	a	Neuausg	27.08.18	Labarte	±0.1
	b	19-0368	02.10.19	Labarte	
					SCALE 1:1
					MATERIAL
					TITLE
					d.fine HR 2.4/128 3.33x
					with mounted d.fine HR prism module
					DRAWING NO.
					0703-134-100-00-0002c
					REPLACES
					SHEET 2 OF 2

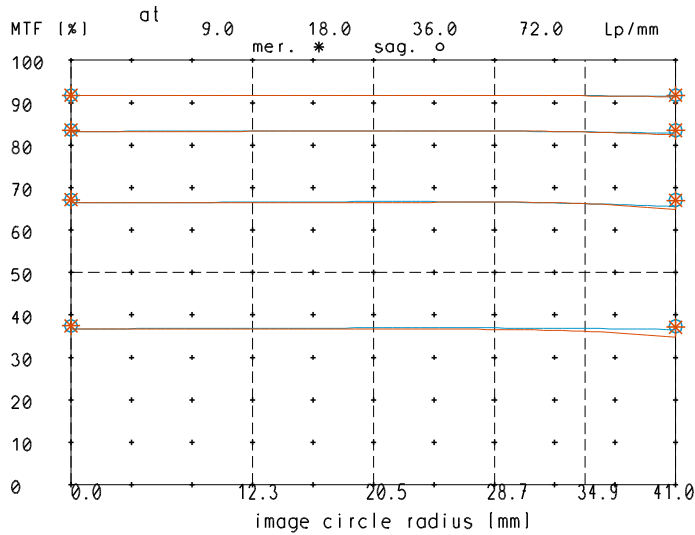


ALL DIMENSIONS ARE IN MM AND INCLUDE SURFACE TREATMENT

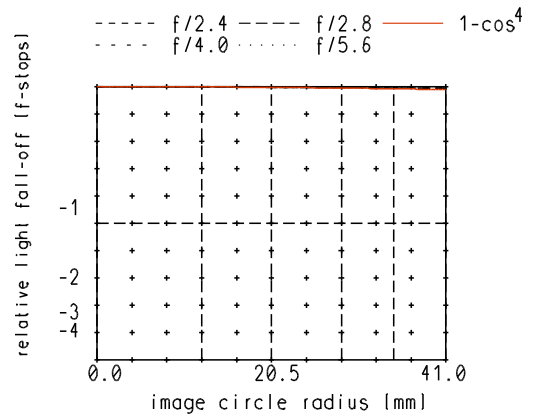


d.fine_HR_2.4/128_3.33x

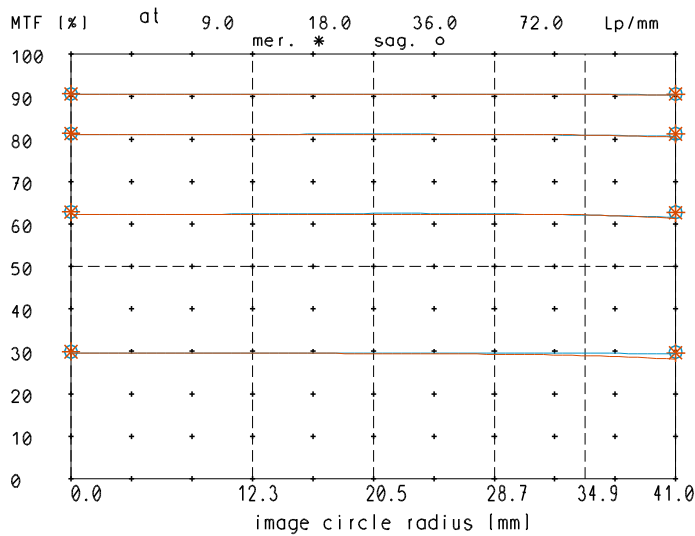
MTF at ratio 3.33 f/ 2.4



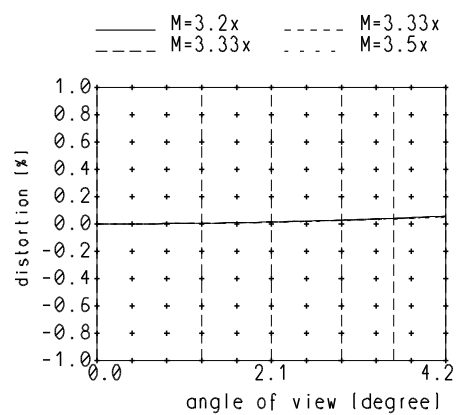
relative light fall-off at ratio 3.33



MTF at ratio 3.33 f/ 2.8

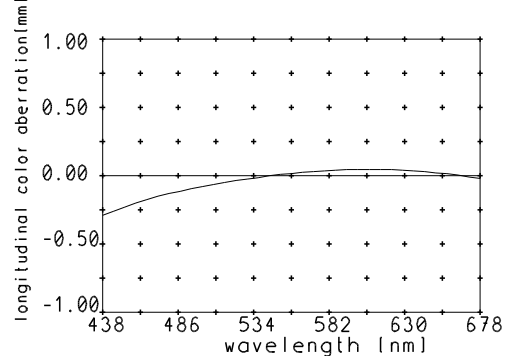


Distortion at ratio 3.2x to 3.5x



— sagittal, o Diffraction limited value
 — meridional * Diffraction limited value

Longitudinal color aberration at ratio 3.33



Named frequencies (line pairs/mm) in modular transfer function (MTF) as well as diagrams of relative light fall-off, distortion and longitudinal color aberration refer to film plane.