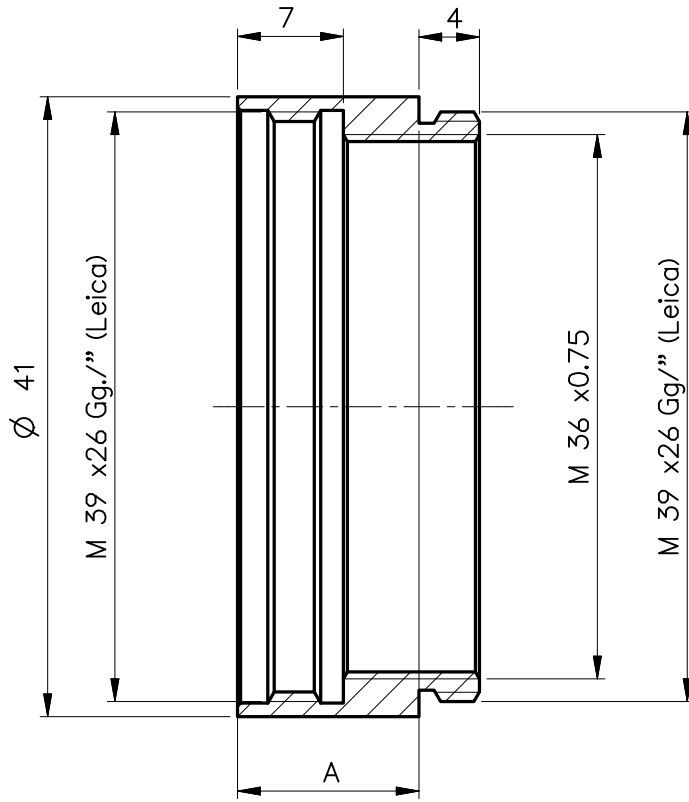
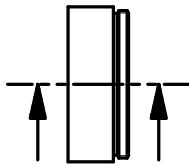


Date: 07-Oct-11 User: infodba  
Time: 10:52 Node: skipper



- M39 EXT 12
- M39 EXT 24
- M39 EXT 48
- M39 EXT 120

Part number	A (mm)
2408-021-108-00	12
2408-021-109-00	24
2408-021-110-00	48
2408-021-111-00	120



NX	EU-D	AL-T1A	US-D	US-ML	not export controlled
				PDM Status Freigabe	unrestricted
PROTECTIVE NOTE "DIN ISO 16016" TO BE OBSERVED	REV	ECC	DATE	APPROVED	GENERAL TOLERANCE OF DIMENSION, FORM, POS. ISO 2768-mH
	a	Neuausg			SURF. TREATMT black, anodised
					SCALE 1:2 (2:1)
					MATERIAL Aluminium
					BASIC TOLERANCING PRINCIPLE ISO 8015
DIN A 4	ALL DIMENSIONS ARE IN MM AND INCLUDE SURFACE TREATMENT			TITLE Extension tube M39	
				DRAWING NO. 2408-021-100-44-0001a	
			REPLACES		SHEET 1 OF 1

