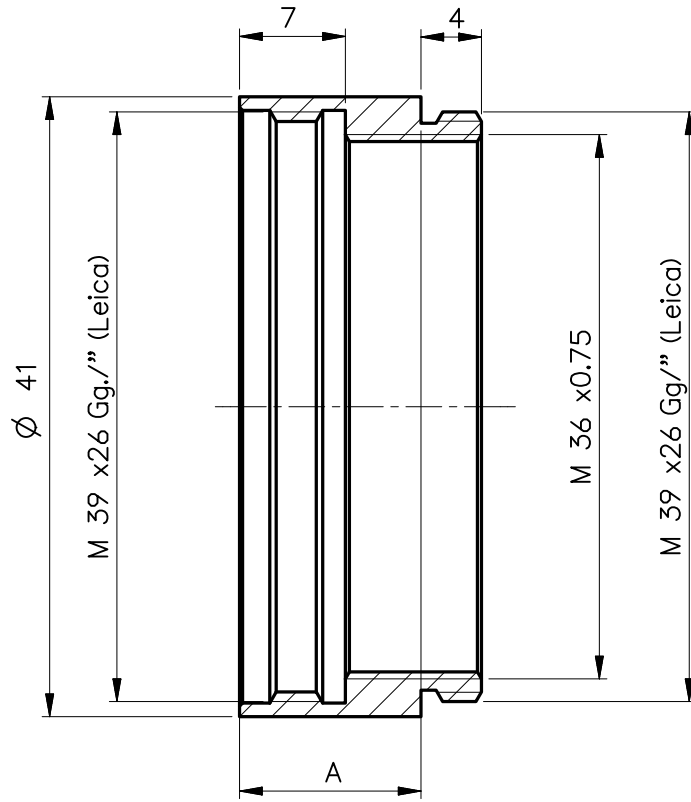
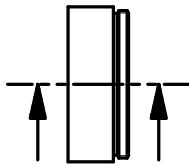


Date: 07-Oct-11 User: infodba
Time: 10:52 Node: skipper



- M39 EXT 12
- M39 EXT 24
- M39 EXT 48
- M39 EXT 120

Part number	A (mm)
2408-021-108-00	12
2408-021-109-00	24
2408-021-110-00	48
2408-021-111-00	120



NX	EU-D		AL-T1A		US-D		US-ML		not export controlled		
							PDM Status Freigabe		unrestricted		
PROTECTIVE NOTE "DIN ISO 16016" TO BE OBSERVED	REV	ECC	DATE	APPROVED	GENERAL TOLERANCE OF DIMENSION, FORM, POS.	SURF. TREATMT	SCALE 1:2 (2:1)				
	a	Neuausg			ISO 2768-mH	black, anodised	MATERIAL Aluminium				
					BASIC TOLERANCING PRINCIPLE ISO 8015		TITLE				
					FIRST ISSUE	DATE	NAME	Extension tube M39			
					28.04.09	28.04.09	Labarte				
				CHKD	28.04.09	Schaeffler					
DIN A 4	ALL DIMENSIONS ARE IN MM AND INCLUDE SURFACE TREATMENT						DRAWING NO. 2408-021-100-44-0001a		SHEET 1 OF 1		
								REPLACES			