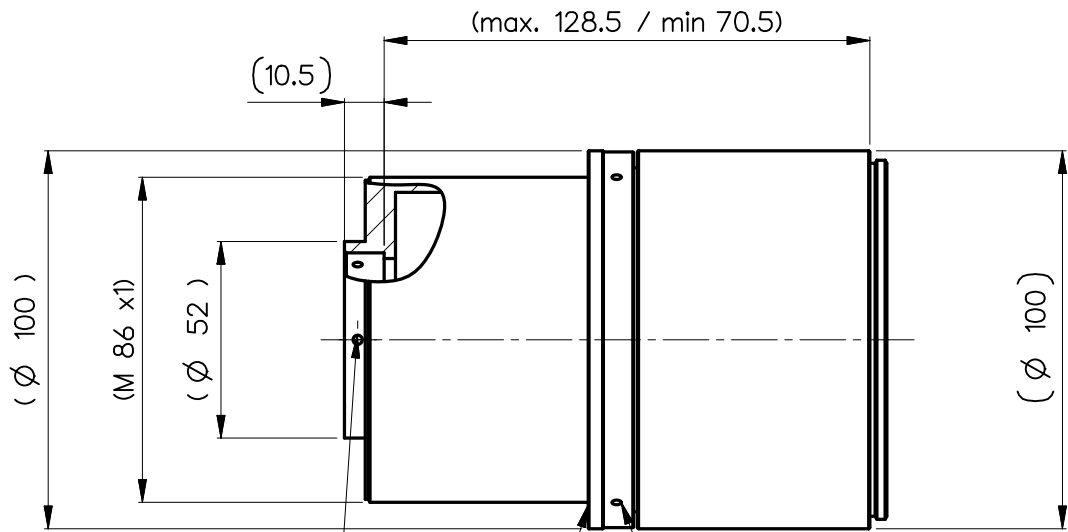


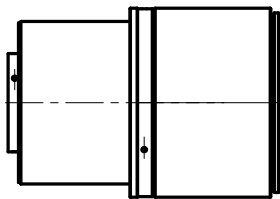
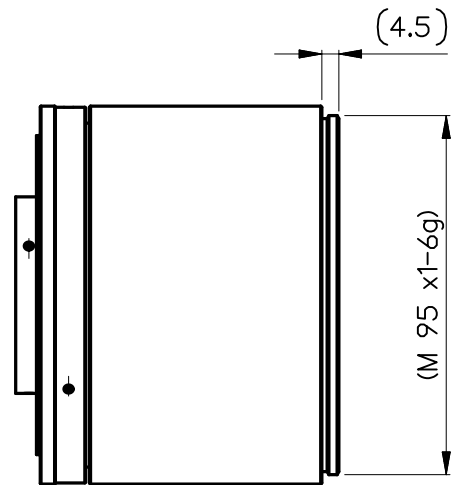
Date: 03-Feb-12 User: infodba
Time: 13:26 Node: skipper



Drei Schrauben zur Objektivmontage und Einstellung des besten Azimut
Three screws to mount the lens and adjust for the best azimuth

Konterring
locking ring

Drei Schrauben, um den Konterring zu sichern
Three screws to secure the locking ring



order number	for lens
2408-012-000-41	0703-084-000-20
	0703-085-000-20

Focus Tube M95 S

NX	EU-D	AL-T1A	US-D	US-ML	not export controlled
				PDM Status Freigabe	unrestricted
PROTECTIVE NOTE "DIN ISO 16016" TO BE OBSERVED	REV	ECC	DATE	APPROVED	GENERAL TOLERANCE OF DIMENSION, FORM, POS. ISO 2768-mH
	a	Neuausg			
	b	11-027	12.10.11	Schiffe	
	c	12-0013	11.01.12	Schiffe	BASIC TOLERANCING PRINCIPLE
	d	12-0001	01.02.12	Kuehne	
e	12-0001	03.02.12	Kuehne		
				FIRST DATE NAME	TITLE Fokus-Tubus, Komplett M95 5.6/105 $\beta' = -0.33 \dots -0.5$
			ISSUE	02.09.11 Schifferer	
			CHKD	02.09.11 Stauder	
DIN A 4	ALL DIMENSIONS ARE IN MM AND INCLUDE SURFACE TREATMENT			QIOPTIQ	DRAWING NO. 2408-012-100-41-0001e
					REPLACES