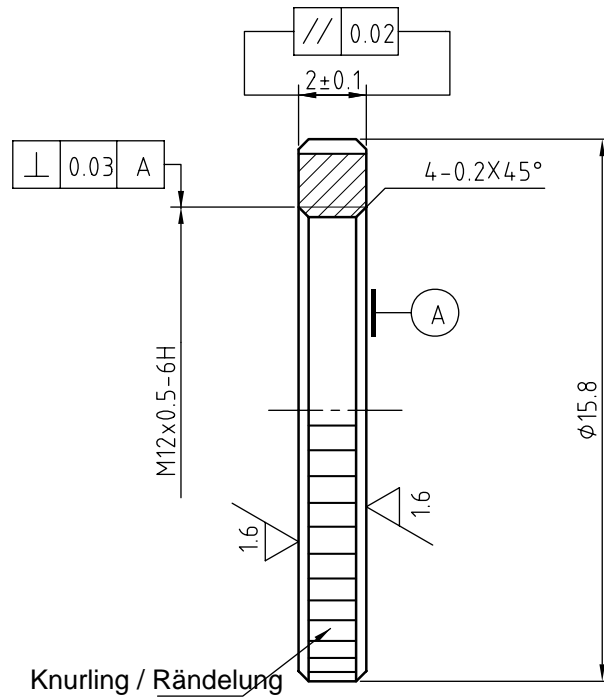


Lensagon LRM12V2



knurled, black, anodized aluminum lock ring for s-mount lenses, d=15.8mm, h=2mm, M12x0.5 female thread

Technical Data

Height	2.0 mm
Width	15.8 mm
Diameter	15.8 mm
Weight	0.4 g

