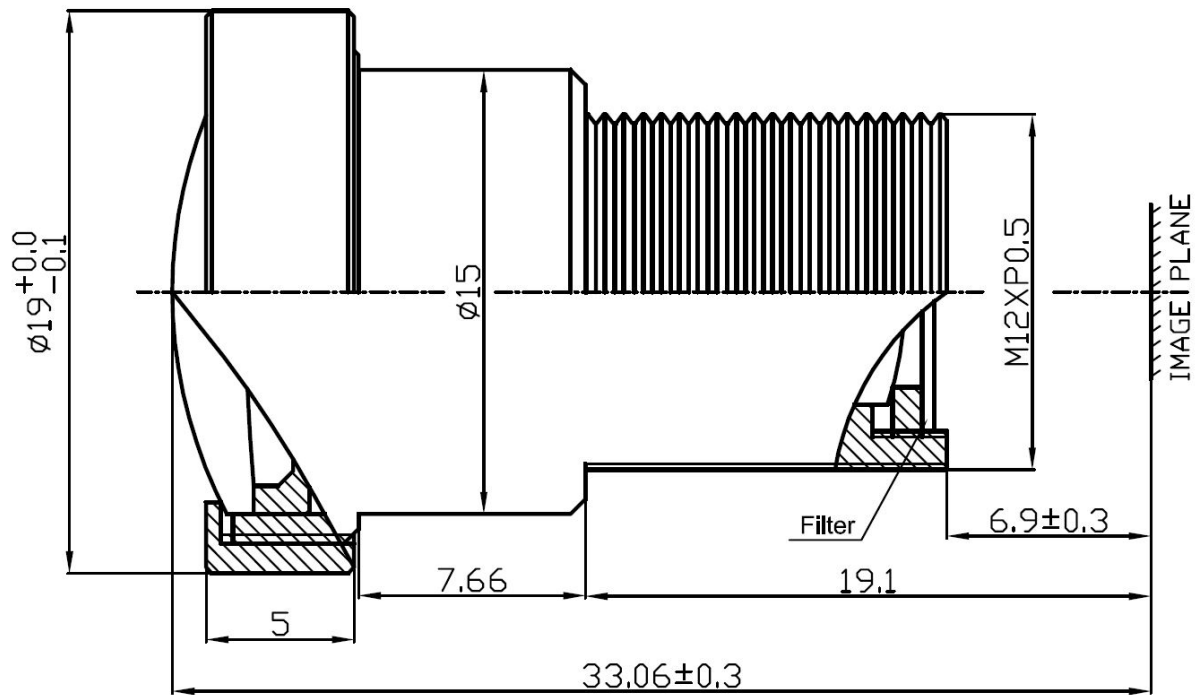


# BTOF6032-940



The S-Mount lens Lensagon BTOF6032-940 is suitable for sensors below 1 megapixel with an image format of 1/2.5 inch.

## Technical Data

Sensor	1/2.5 inch
Focal Length	6 mm
Aperture	3.2
MOD	0.2 m
Back Focal	8.304 mm
Angle of View	D:60.5° H:50.7° V:39.2°
Optical Distortion	-1 %

