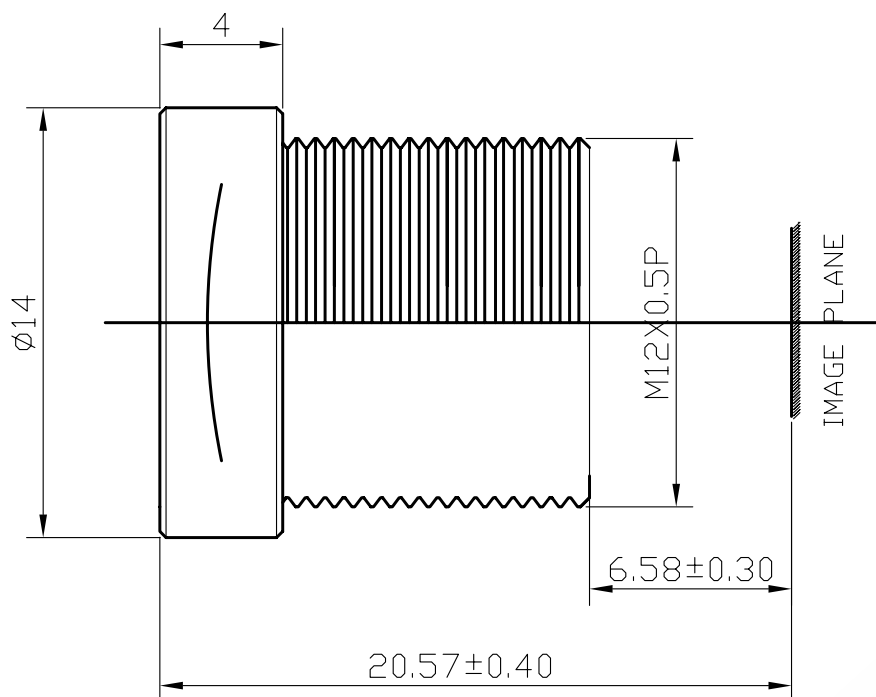


# Lensagon BT8020NC



The S-Mount lens Lensagon BT8020NC is suitable for sensors below 1 megapixel with an image format of 1/3 inch. It is characterized by a particularly high light intensity.

## Technical Data

Mount	S-Mount
Sensor	1/3 inch
Focal Length	8 mm
Aperture	2
MOD	0.2 m
Back Focal	8.25 mm
Angle of View	D:44° H:° V:°
Megapixel	0.3 MP
IR Cut Filter	Yes
Weight	3.5 g
Iris	fixed
Focus	fixed
Typ	Standard



Light Sensitive