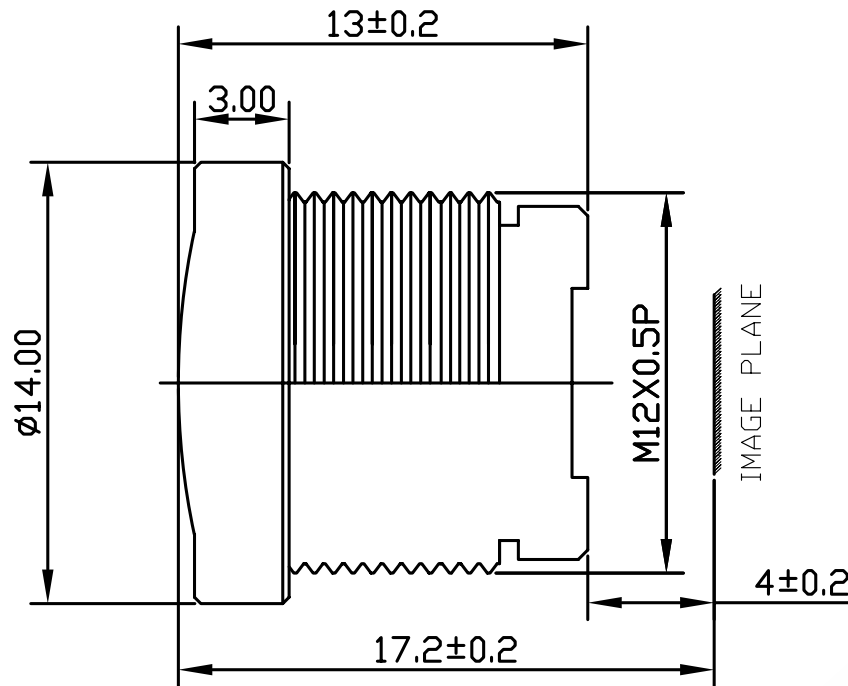


# Lensagon BT3020C



The S-Mount lens Lensagon BT3020C is suitable for common sensors up to 1 megapixel with an image format of 1/3 inch. It is characterized by a particularly high light intensity.

## Technical Data

Mount	S-Mount
Sensor	1/3 inch
Focal Length	3 mm
Aperture	2
MOD	0.2 m
Back Focal	5.35 mm
Angle of View	D:124° H:98° V:71°
Megapixel	1-2 MP
IR Correction	No
IR Cut Filter	Yes
Optical Distortion	-88 %
Weight	4 g
Iris	fixed
Focus	fixed
Typ	Standard



Light Sensitive



1 Megapixel