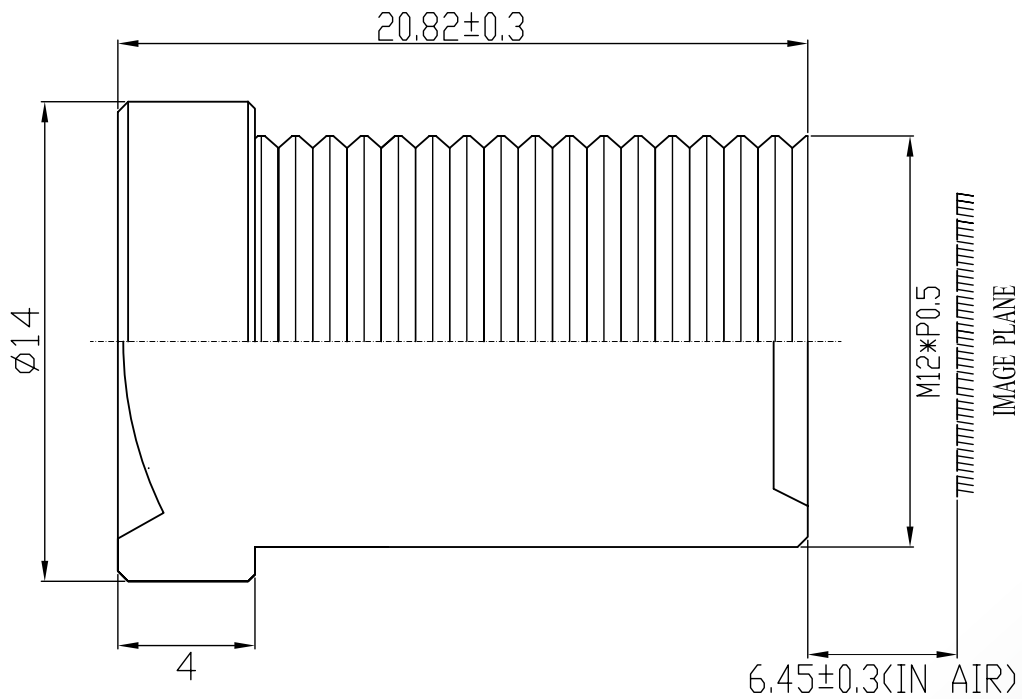


# BT25020S12C



The S-Mount lens Lensagon BT25020S12C is suitable for common sensors up to 2 megapixel with an image format of 1/2 inch.

## Technical Data

Mount	S-Mount
Sensor	1/2 inch
Focal Length	25 mm
Aperture	2.5
MOD	0.2 m
Back Focal	8.29 mm
Angle of View	D:18.63° H:14.8° V:11.1°
Megapixel	2 MP
IR Correction	No
IR Cut Filter	Yes
Weight	5.8 g
Iris	fixed
Focus	fixed
Typ	Standard

2 Megapixel

