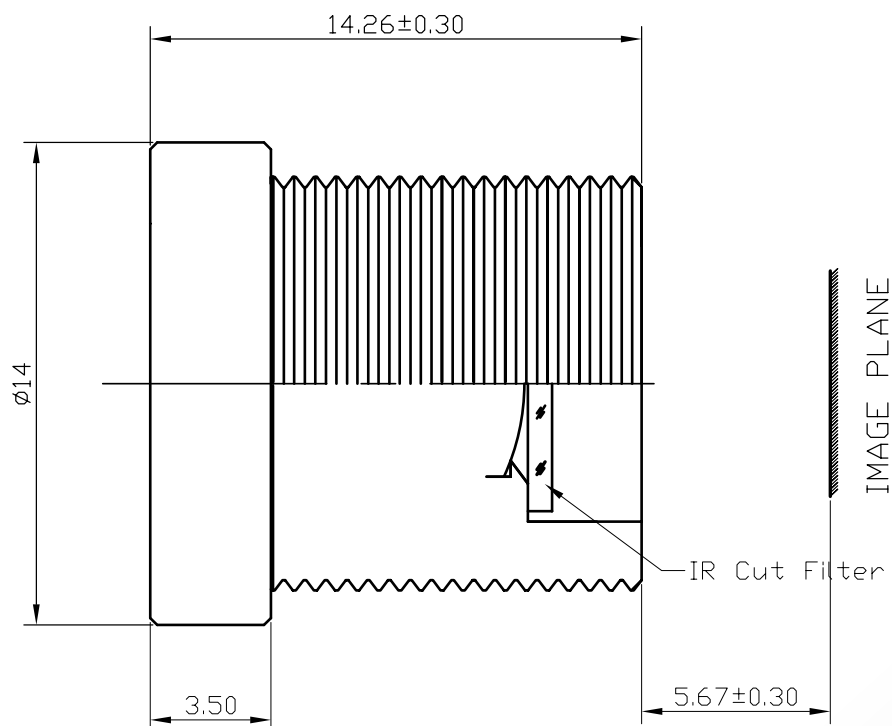


# Lensagon BT12020C



The S-Mount lens Lensagon BT12020C is suitable for sensors below 1 megapixel with an image format of 1/3 inch.

## Technical Data

Mount	S-Mount
Sensor	1/3 inch
Focal Length	12 mm
Aperture	2.5
MOD	0.4 m
Angle of View	D:29° H:24° V:18°
IR Cut Filter	Yes
Distortion	-0.8 %
Weight	3 g
Iris	fixed
Focus	fixed
Typ	Standard

