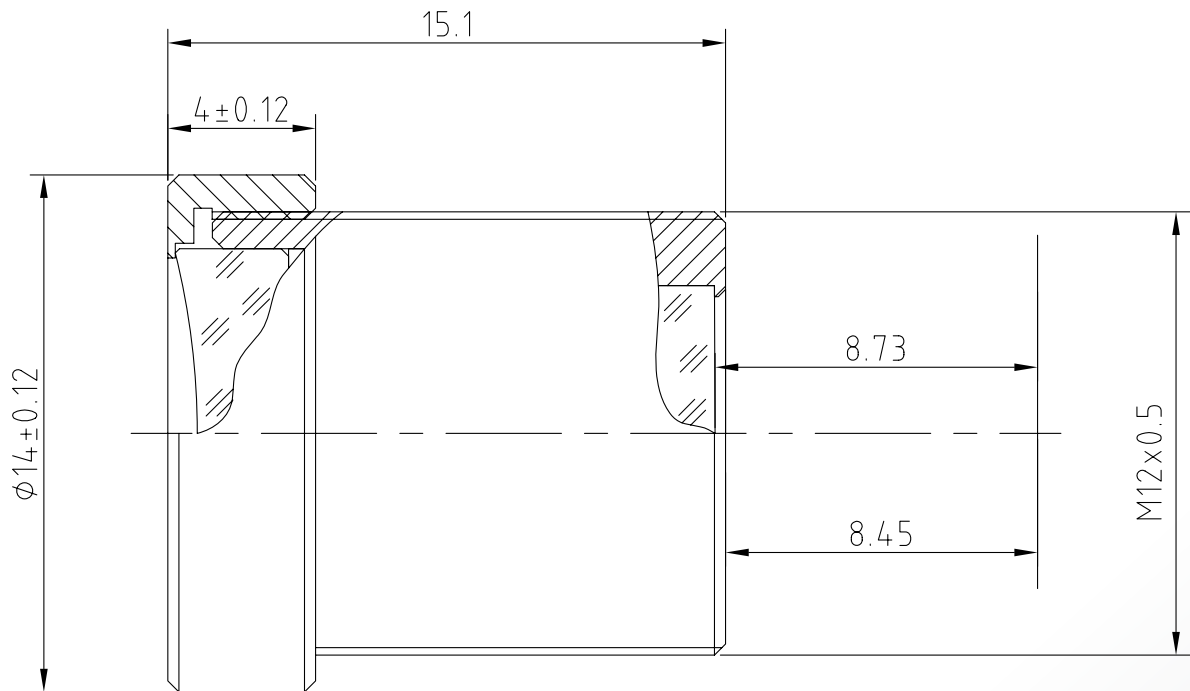


BSM6016S12



The S-Mount lens Lensagon BSM6016S12 is suitable for sensors below 1 megapixel with an image format of 1/2 inch. It is characterized by a particularly high light intensity.

Technical Data

Mount	S-Mount
Sensor	1/2 inch
Focal Length	6 mm
Aperture	1.8
MOD	0.2 m
Back Focal	8.73 mm
Angle of View	D:88° H:65° V:46°
IR Correction	Yes
Weight	4.9 g
Iris	fixed
Focus	fixed
Typ	Standard



Light Sensitive

