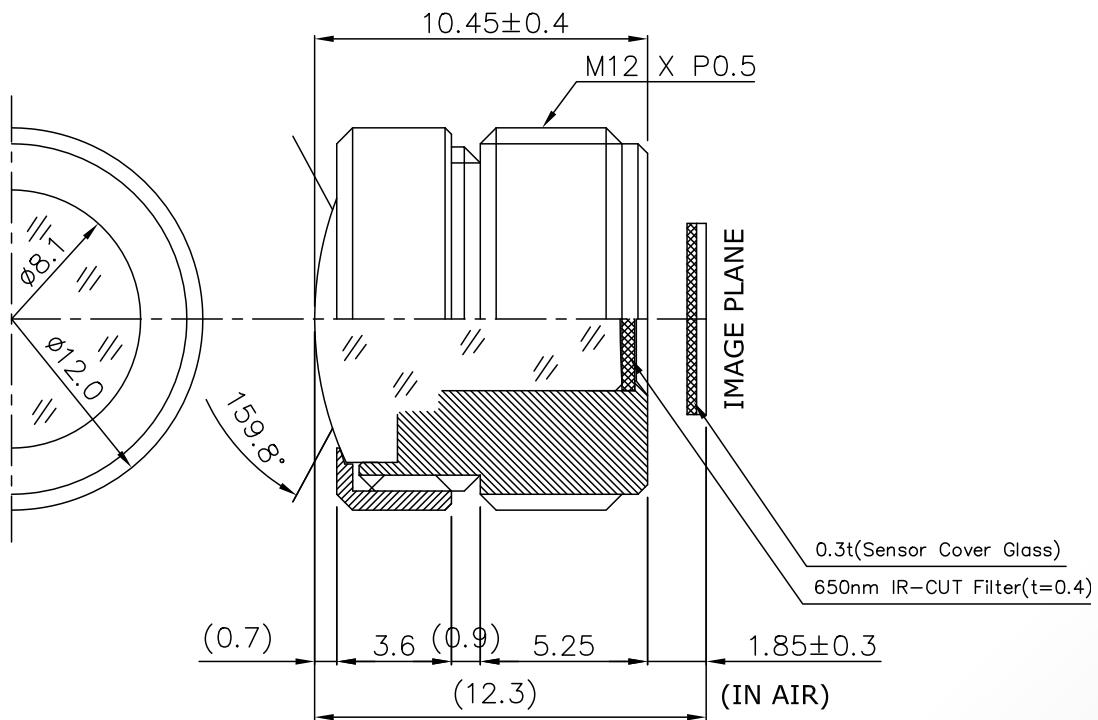


Lensagon BMK2119C



The S-Mount lens Lensagon BMK2119C is suitable for common sensors up to 1.4 megapixel with an image format of 1/3 inch. It is characterized by a particularly high light intensity. Construction: 6 elements (1ASP Glass / 5G)

Technical Data

Mount	S-Mount
Sensor	1/3 inch
Focal Length	2.1 mm
Aperture	1.9
Back Focal	2.2 mm
Angle of View	D:159.8° H:128° V:96.4°
Megapixel	1.4 MP
IR Cut Filter	Yes
Weight	2.7 g
Iris	fixed
Focus	fixed
Filter	SLAR coating 550nm
Typ	Standard



Light Sensitive



1 Megapixel