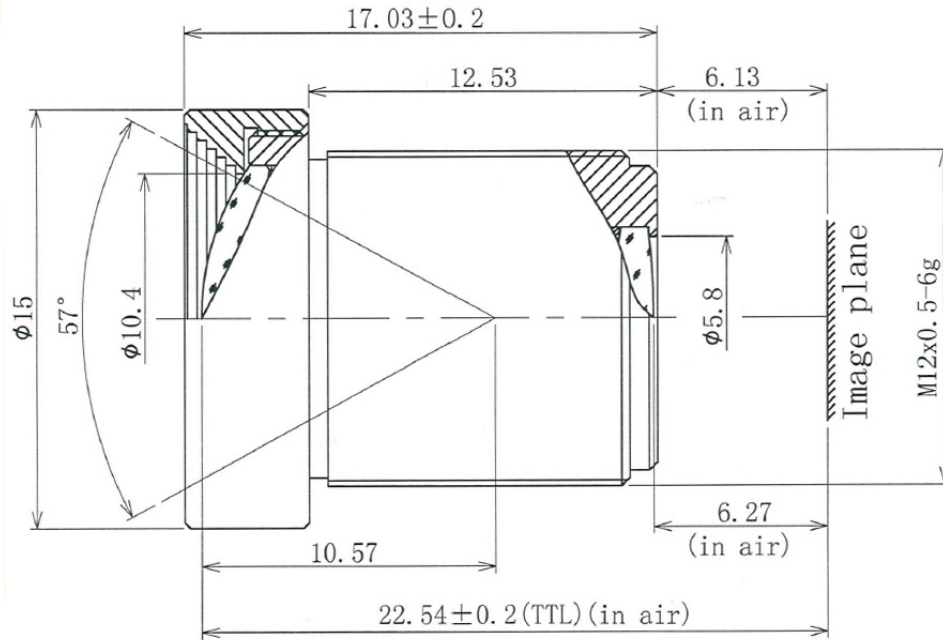


Lensagon BM6020ND



The S-Mount lens Lensagon BM6020ND is suitable for common sensors up to 1 megapixel with an image format of 1/3 inch. It is characterized by a particularly high light intensity. IR Correction up to 840nm

Technical Data

Mount	S-Mount
Sensor	1/3 inch
Focal Length	6 mm
Aperture	2
MOD	0.2 m
Back Focal	6.27 mm
Angle of View	D:57° H:46.8° V:35.7°
Megapixel	1-2 MP
IR Correction	Yes
Optical Distortion	-0.025 %
Weight	5.6 g
Iris	fixed
Focus	fixed
Chief ray angle	7.7 °
Typ	Standard



Light Sensitive



1 Megapixel