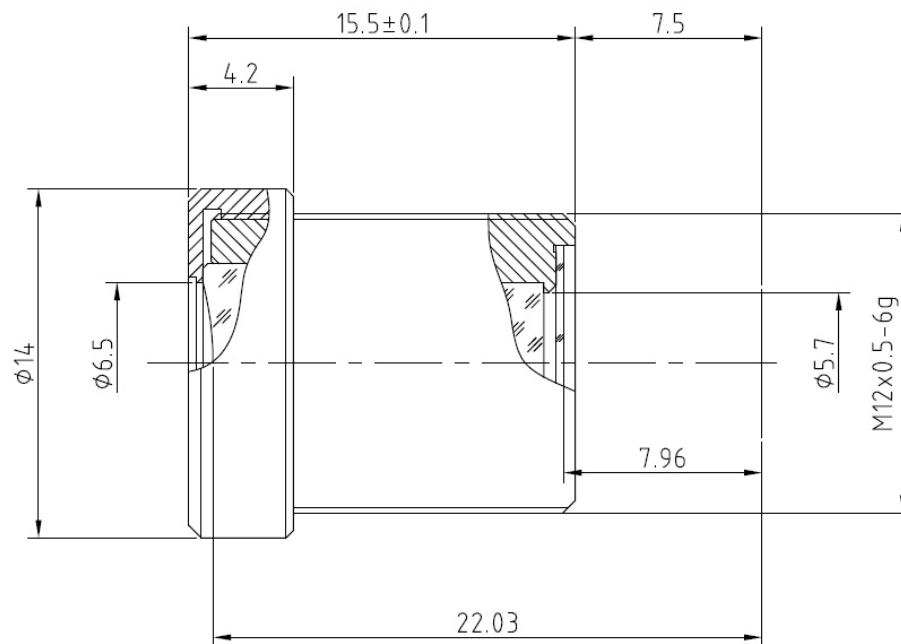


# Lensagon BM6018C



The S-Mount lens Lensagon BM6018C is suitable for common sensors up to 1 megapixel with an image format of 1/3 inch. It is characterized by a particularly high light intensity.

## Technical Data

Mount	S-Mount
Sensor	1/3 inch
Focal Length	6 mm
Aperture	1.8
MOD	0.2 m
Back Focal	8.75 mm
Angle of View	D:60° H:48° V:34.5°
Megapixel	1-2 MP
IR Correction	No
IR Cut Filter	Yes
Weight	5.2 g
Iris	fixed
Focus	fixed
Chief ray angle	10.9 °
Typ	Standard



Light Sensitive



1 Megapixel