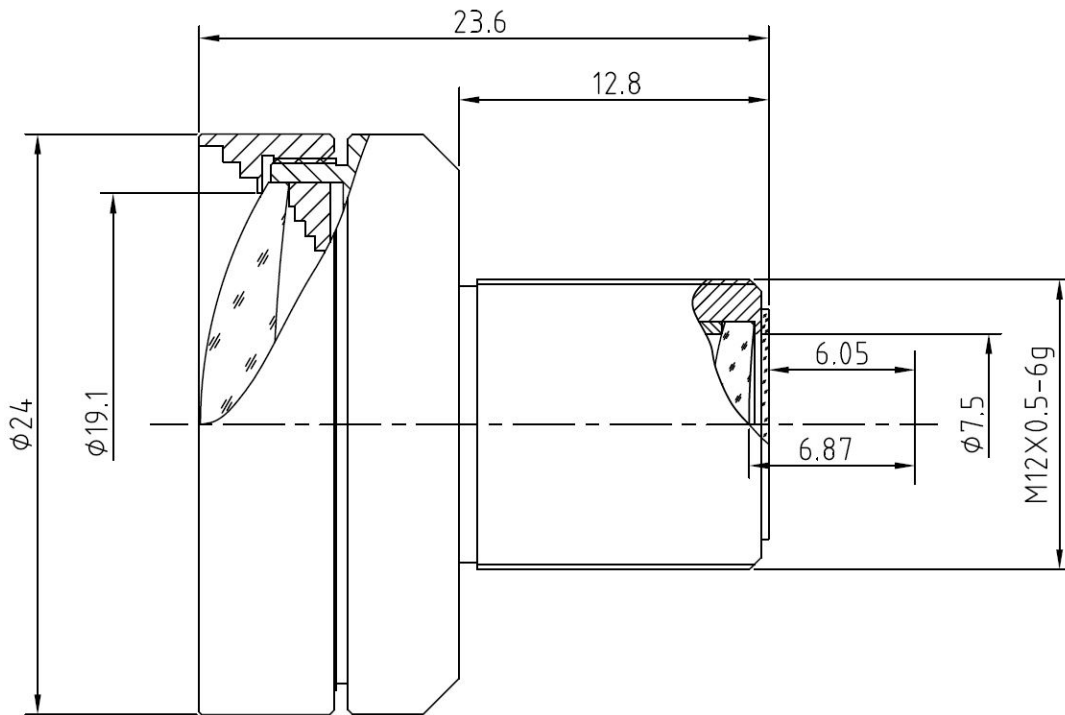


BM5518S12NDC



The S-Mount lens Lensagon BM5518S12NDC is suitable for common sensors up to 2 megapixel with an image format of 1/1.8 inch. It is characterized by a particularly high light intensity.

Technical Data

Mount	S-Mount
Sensor	1/1.8 - 1/2 inch Sensor
Focal Length	5.5 mm
Aperture	1.8
MOD	0.2 m
Back Focal	6.87 mm
Angle of View	D:76° H:64.5° V:51°
Megapixel	2 MP
IR Correction	No
IR Cut Filter	Yes
Optical Distortion	2.2 %
Weight	17.3 g
Iris	fixed
Focus	fixed
Typ	Standard



Light Sensitive



Megapixel