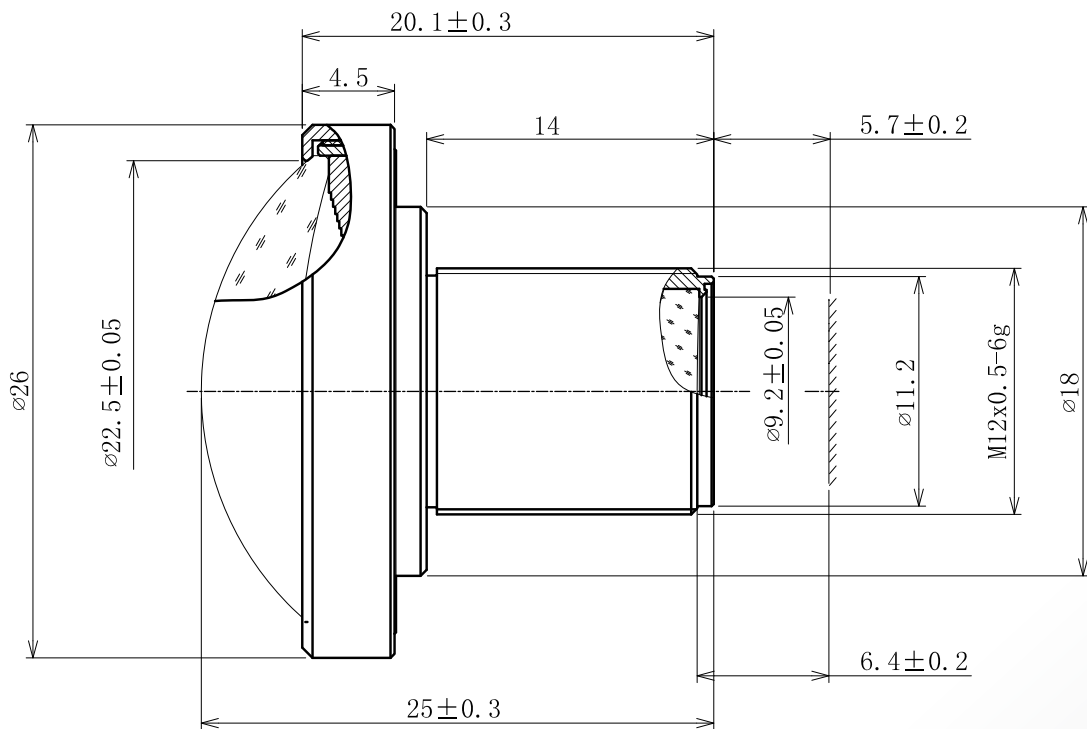


BM4525S118ND



The S-Mount lens Lensagon BM4525S118ND is suitable for common sensors up to 1 megapixel with an image format of 1/1.8 inch.

Technical Data

Mount	S-Mount
Sensor	1/1.8 - 1/2 inch Sensor
Focal Length	4.5 mm
Aperture	2.5
MOD	0.1 m
Back Focal	6.4 mm
Angle of View	D:90° H:78° V:62°
Megapixel	1-2 MP
IR Cut Filter	No
Optical Distortion	-2.8 %
Weight	14.4 g
Iris	fixed
Focus	fixed
Typ	Standard



1 Megapixel