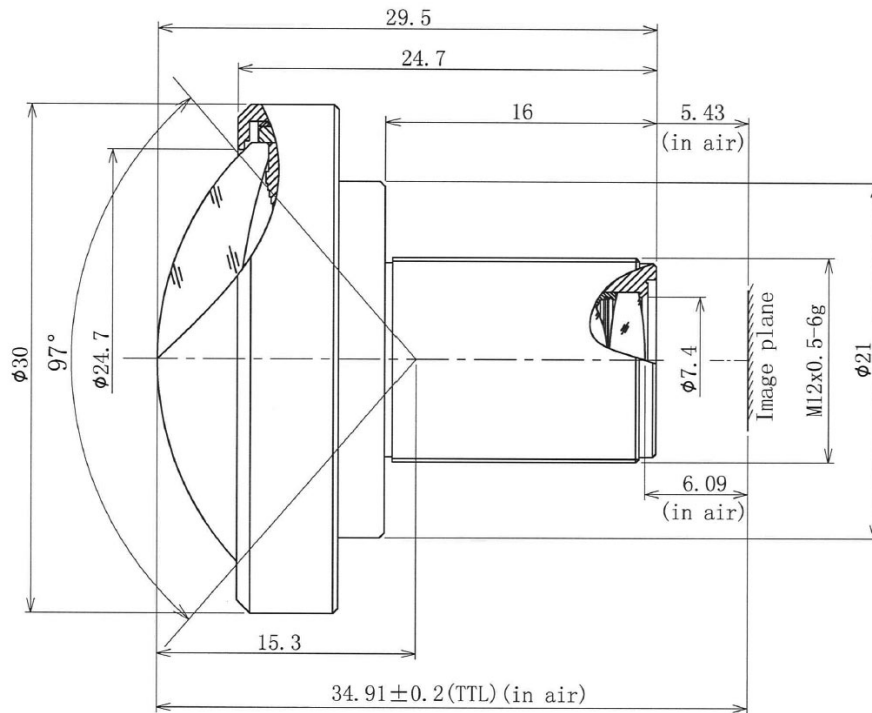


BM3524S12ND



The S-Mount lens Lensagon BM3524S12ND is suitable for common sensors up to 1 megapixel with an image format of 1/2 inch.

Technical Data

Mount	S-Mount
Sensor	1/2 inch
Focal Length	3.5 mm
Aperture	2.4
MOD	0.1 m
Back Focal	6.09 mm
Angle of View	D:97° H:84° V:68°
Megapixel	1-2 MP
IR Correction	Yes
IR Cut Filter	No
Optical Distortion	-3.1 %
Weight	21.4 g
Iris	fixed
Focus	fixed
Chief ray angle	6.3 °



1 Megapixel