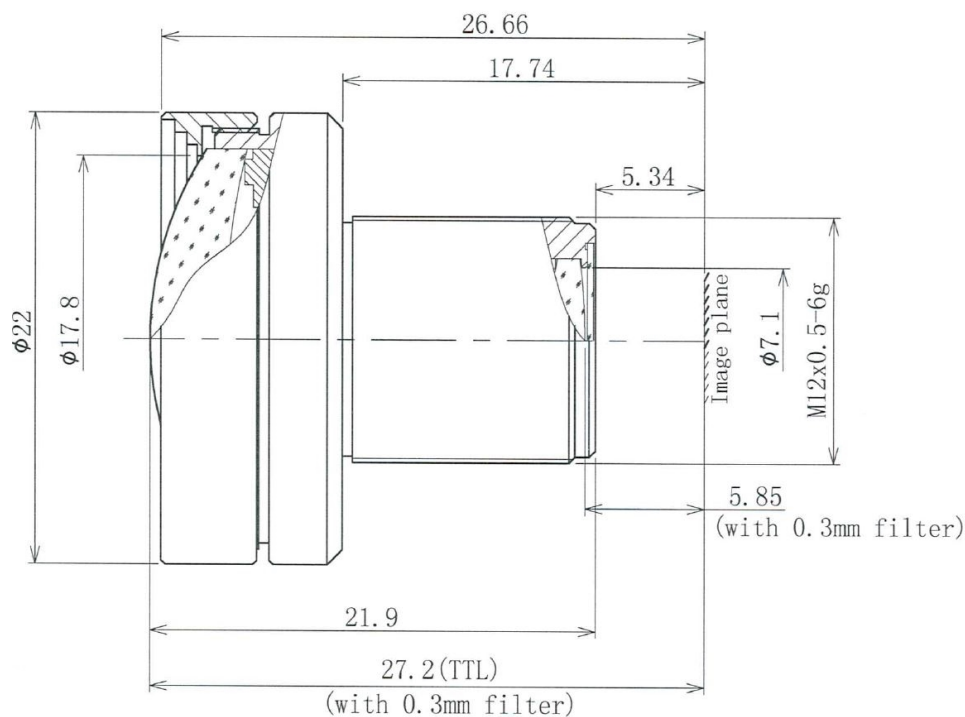


Lensagon BM3516NDC



The S-Mount lens Lensagon BM3516NDC is suitable for common sensors up to 1.3 megapixel with an image format of 1/3 inch. It is characterized by a particularly high light intensity. CRA @R=3mm: 9,8° EP Position ab 1 Linse: 8,99.

Technical Data

Mount	S-Mount
Sensor	1/3 inch
Focal Length	3.5 mm
Aperture	1.6
MOD	0.2 m
Back Focal	5.97 mm
Angle of View	D:81° H:68° V:53.5°
Megapixel	1.3 MP
IR Correction	No
IR Cut Filter	Yes
Optical Distortion	0.19 %
Weight	13 g
Iris	fixed
Focus	fixed
Typ	Standard



Light Sensitive



Megapixel