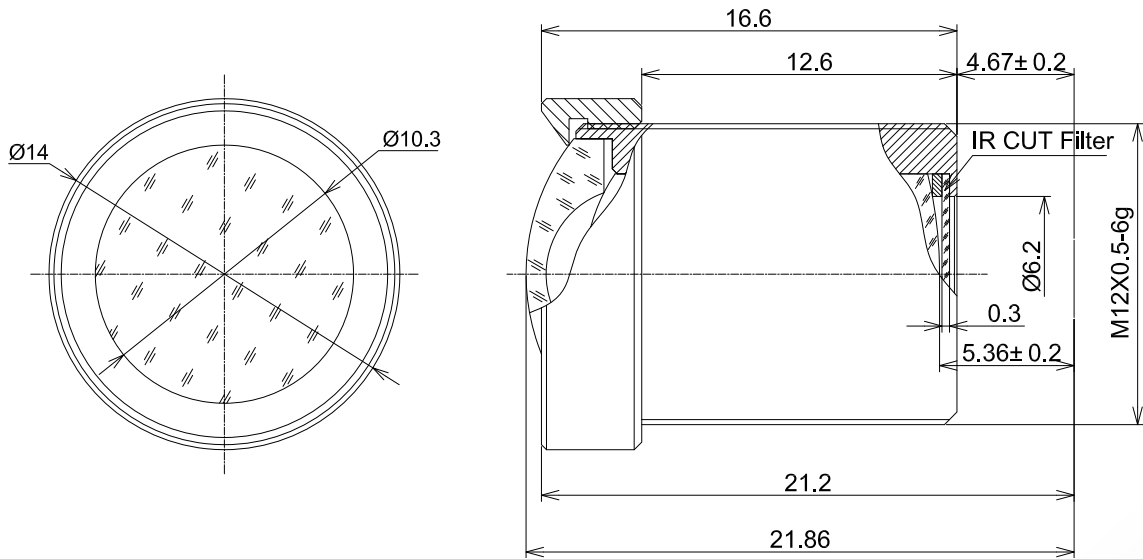


# Lensagon BM2820C



The S-Mount lens Lensagon BM2820C is suitable for common sensors up to 1 megapixel with an image format of 1/3 inch.

## Technical Data

Mount	S-Mount
Sensor	1/3 inch
Focal Length	2.8 mm
Aperture	2.8
MOD	0.1 m
Back Focal	5.36 mm
Angle of View	D:122° H:98° V:73°
Megapixel	1-2 MP
IR Correction	No
IR Cut Filter	Yes
Optical Distortion	-40 %
Weight	5.4 g
Iris	fixed
Focus	fixed
Chief ray angle	15 °
Typ	Standard



1

Megapixel