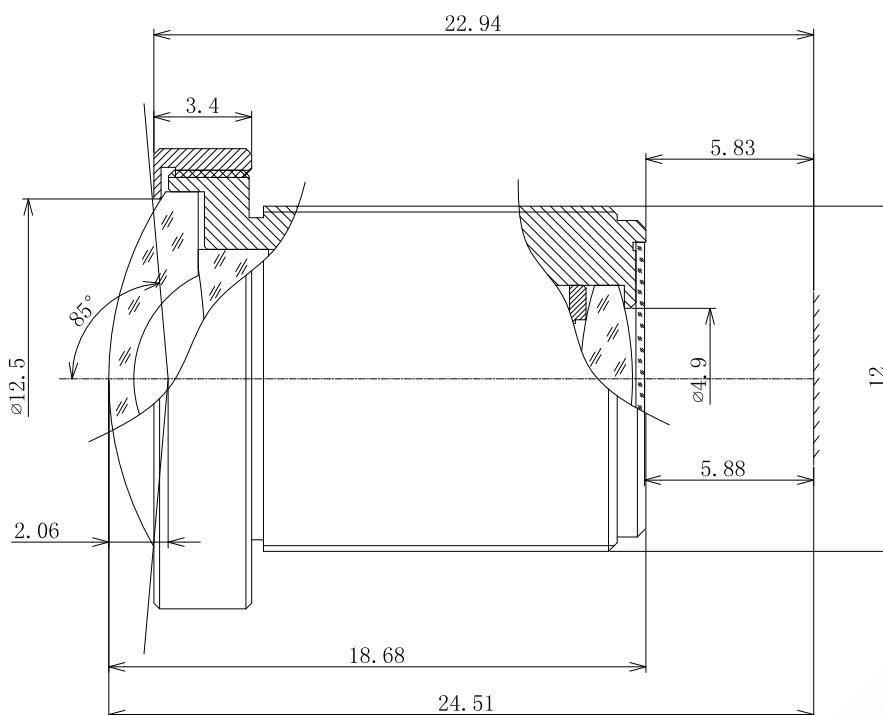


Lensagon BM2118V2C



The S-Mount lens Lensagon BM2118V2C is suitable for common sensors up to 1 megapixel with an image format of 1/3 inch.

Technical Data

Mount	S-Mount
Sensor	1/3 inch
Focal Length	2.1 mm
Aperture	2.2
MOD	0.2 m
Back Focal	5.88 mm
Angle of View	D:170° H:130° V:96°
Megapixel	1-2 MP
IR Correction	No
IR Cut Filter	Yes
Optical Distortion	-88.1 %
Weight	6.8 g
Iris	fixed
Focus	fixed
Typ	Standard



1

Megapixel