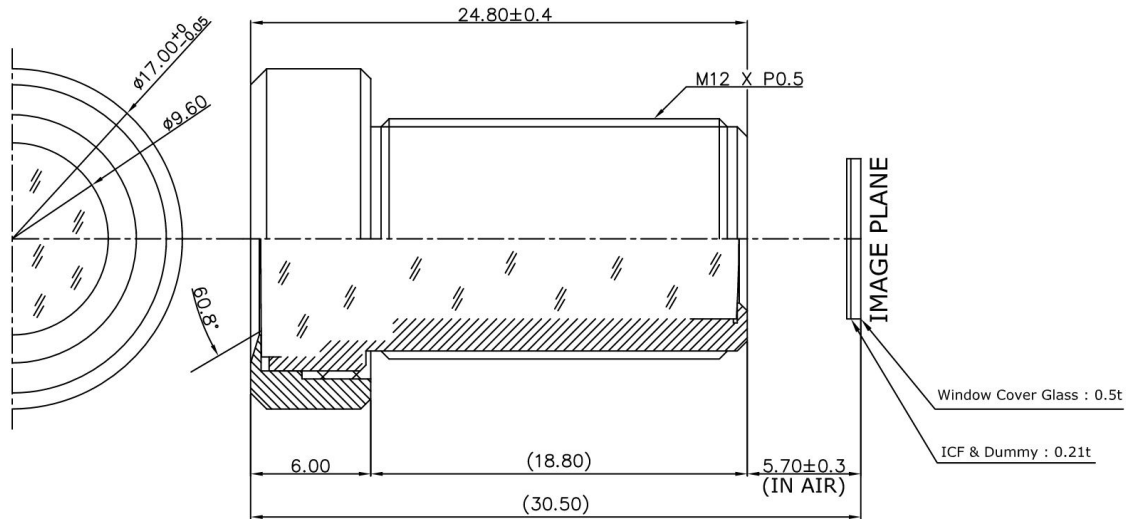


Lensagon BK5M7620



The S-Mount lens Lensagon BK5M7620 is suitable for common sensors up to 5 megapixel with an image format of 1/2 inch. It is characterized by a particularly high light intensity.

Technical Data

Mount	S-Mount
Sensor	1/2 inch
Focal Length	7.6 mm
Aperture	2
MOD	3 m
Back Focal	6.1 mm
Angle of View	D:60.8° H:47.9° V:35.6°
Megapixel	5 MP
IR Correction	yes
IR Cut Filter	No
Weight	8.7 g
Iris	fixed
Focus	fixed
Typ	Standard



Light Sensitive



5 Megapixel