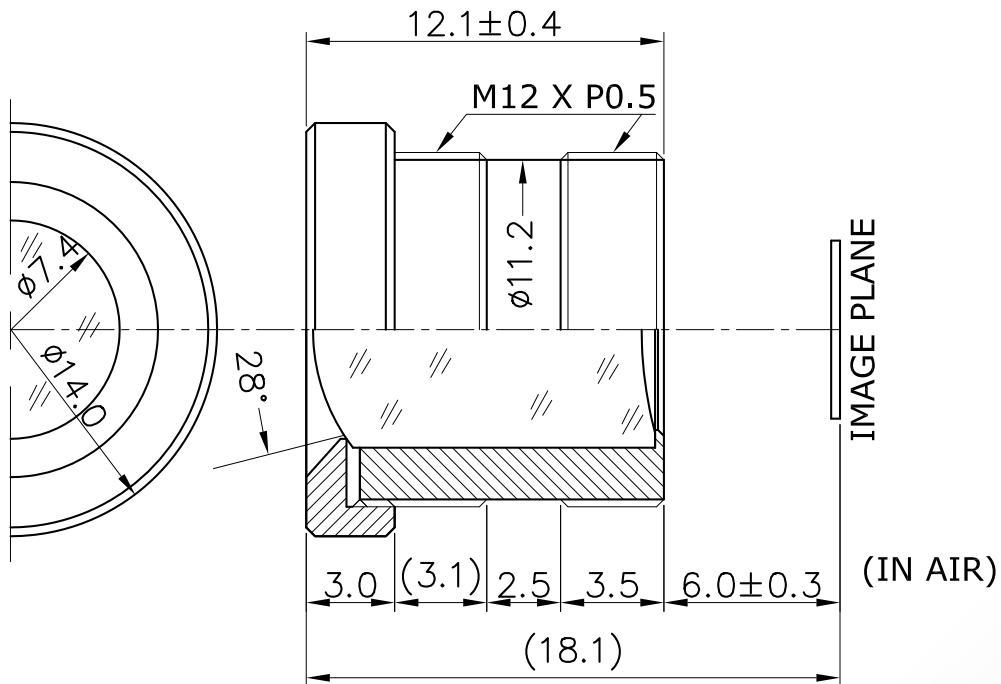


# Lensagon BHR12020



The S-Mount lens Lensagon BHR12020 is suitable for sensors below 1 megapixel with an image format of 1/3 inch. It is characterized by a particularly high light intensity.

## Technical Data

Mount	S-Mount
Sensor	1/3 inch
Focal Length	12 mm
Aperture	2
MOD	0.2 m
Back Focal	6.7 mm
Angle of View	D:28° H:22.2° V:16.3°
Megapixel	0.7 MP
IR Cut Filter	No
Weight	4.4 g
Iris	fixed
Focus	fixed
Typ	Standard



Light Sensitive

