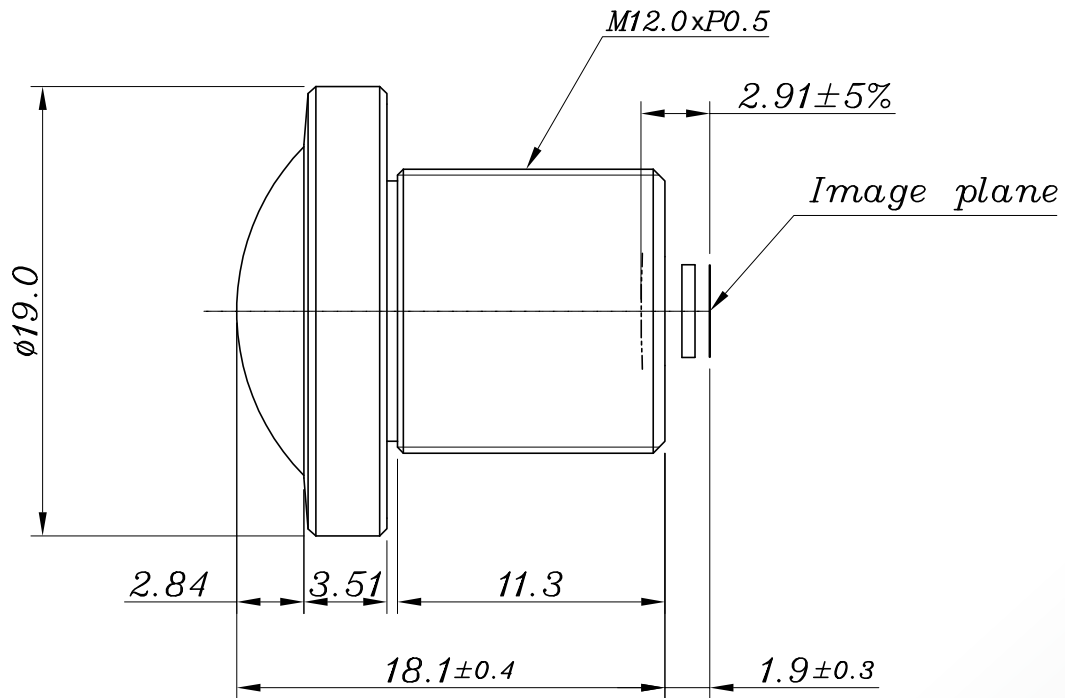


Lensagon BFM1220C



The Fisheye S-Mount lens Lensagon BFM1220C is suitable for common sensors up to 1.3 megapixel with an image format of 1/3 inch. It is characterized by a particularly high light intensity.

Technical Data

Mount	S-Mount
Sensor	1/3 inch
Focal Length	1.2 mm
Aperture	2
MOD	0.1 m
Back Focal	2.91 mm
Megapixel	1.3 MP
IR Correction	No
IR Cut Filter	Yes
Image Circle	3.84 mm
Weight	6 g
Iris	fixed
Focus	fixed
Chief ray angle	7.87 °
Typ	Fisheye



Light Sensitive



1 Megapixel