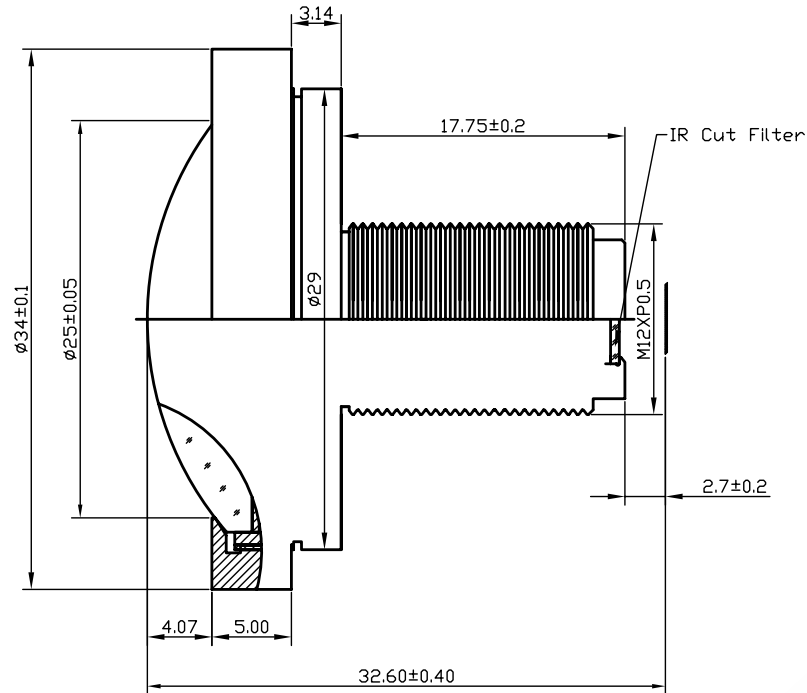


Lensagon BF9M1422C



The S-Mount lens Lensagon BF9M1422C is suitable for current sensors up to 9 megapixel with an image format of 1/2.3 inch.

Technical Data

Mount	S-Mount
Sensor	1/2.3 inch
Focal Length	1.41 mm
Aperture	2.2
MOD	0.1 m
Back Focal	3.69 mm
Angle of View	D:183° H:183° V:183°
Megapixel	9 MP
IR Correction	No
IR Cut Filter	Yes
Image Circle	4.5 mm
Iris	fixed
Focus	fixed
Typ	Fisheye

