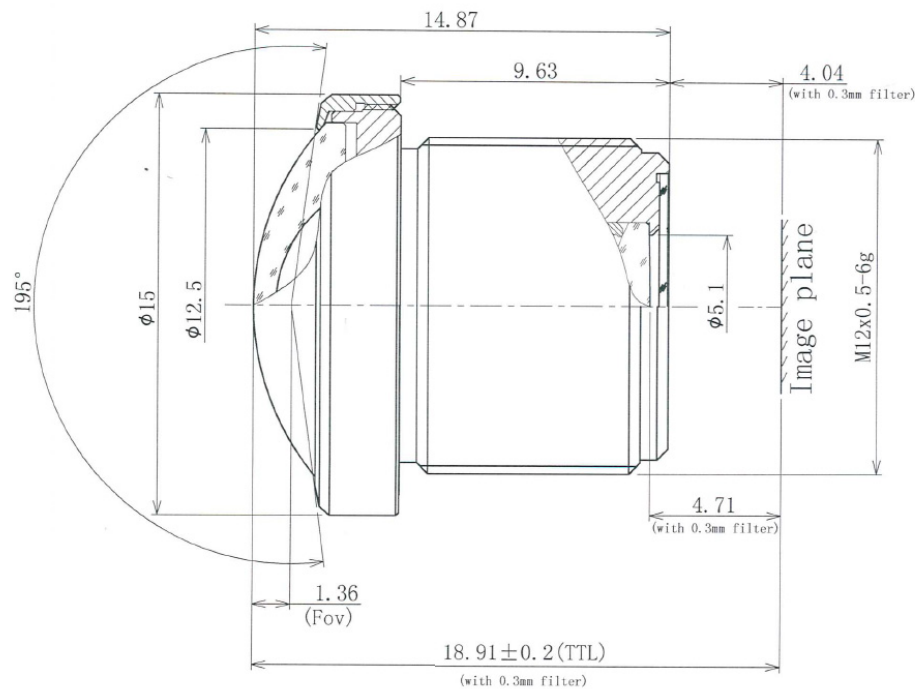


# BF5M2223S129C



The Fisheye S-Mount lens Lensagon BF5M2223S129C is suitable for common sensors up to 5 megapixel with an image format of 1/2.9 inch.

## Technical Data

Mount	S-Mount
Sensor	1/2.9 inch
Focal Length	2.2 mm
Aperture	2.3
MOD	0.1 m
Back Focal	4.71 mm
Angle of View	D:195° H:155° V:81°
Megapixel	5 MP
IR Correction	No
IR Cut Filter	Yes
Image Circle	6.2 mm
Weight	4.9 g
Iris	fixed
Focus	fixed
Chief ray angle	15.9 °
Typ	Fisheye



**5** Megapixel