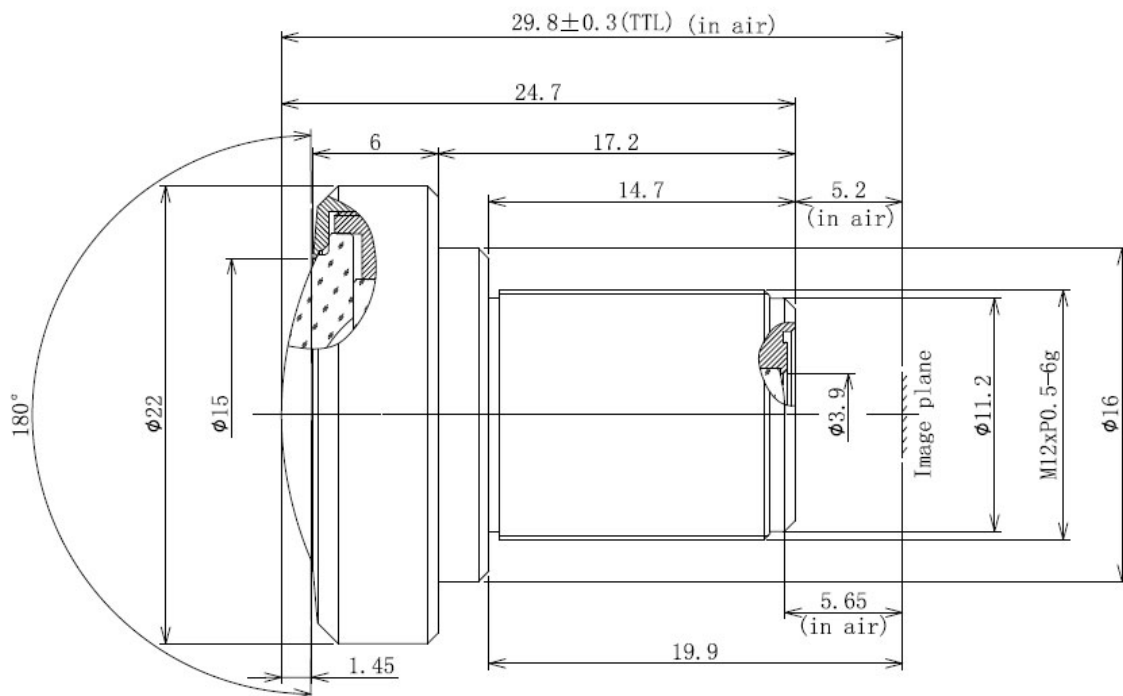


# BF5M15828S125



The Fisheye S-Mount lens Lensagon BF5M15828S125 is suitable for common sensors up to 5 megapixel with an image format of 1/2.5 inch.

## Technical Data

Mount	S-Mount
Sensor	1/2.5 inch
Focal Length	1.58 mm
Aperture	2.8
MOD	0.1 m
Back Focal	5.65 mm
Angle of View	D:180° H:180° V:180°
Megapixel	5 MP
IR Correction	Yes
IR Cut Filter	No
Image Circle	4.1 mm
Weight	11.3 g
Iris	fixed
Focus	fixed
Chief ray angle	9.6 °
Typ	Fisheye



**5** Megapixel