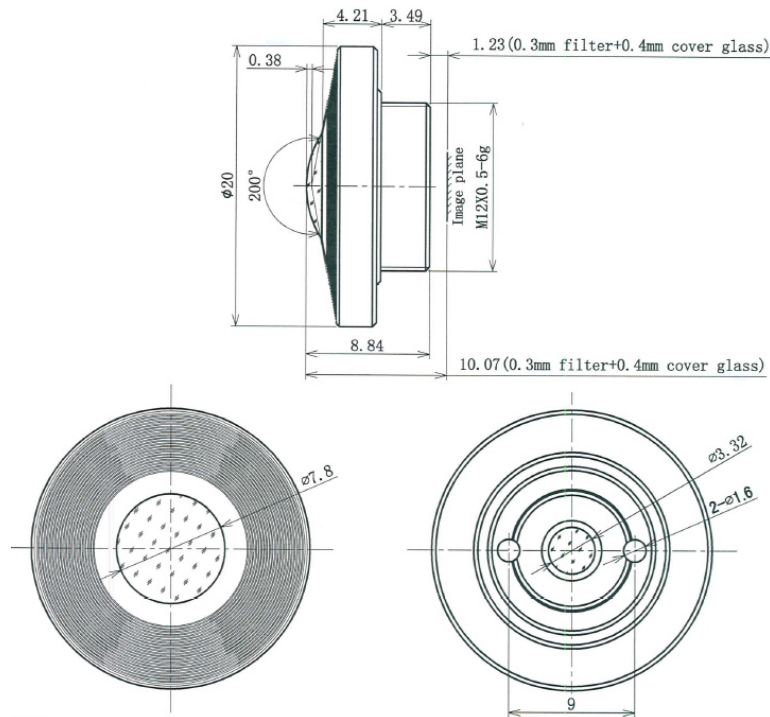


BF13M0922S13C



The S-Mount lens Lensagon BF13M0922S13C is suitable for current sensors up to 13 megapixel with an image format of 1/3.2 inch.

Technical Data

| | |
|-----------------|----------------------|
| Mount | S-Mount |
| Sensor | 1/3.2 inch |
| Focal Length | 0.9 mm |
| Aperture | 2.2 |
| MOD | 0.1 m |
| Back Focal | 2.01 mm |
| Angle of View | D:200° H:200° V:200° |
| Megapixel | 13 MP |
| IR Cut Filter | Yes |
| Image Circle | 2.9 mm |
| Weight | 5.5 g |
| Iris | fixed |
| Focus | fixed |
| Chief ray angle | 10.2 ° |
| Typ | Fisheye |

