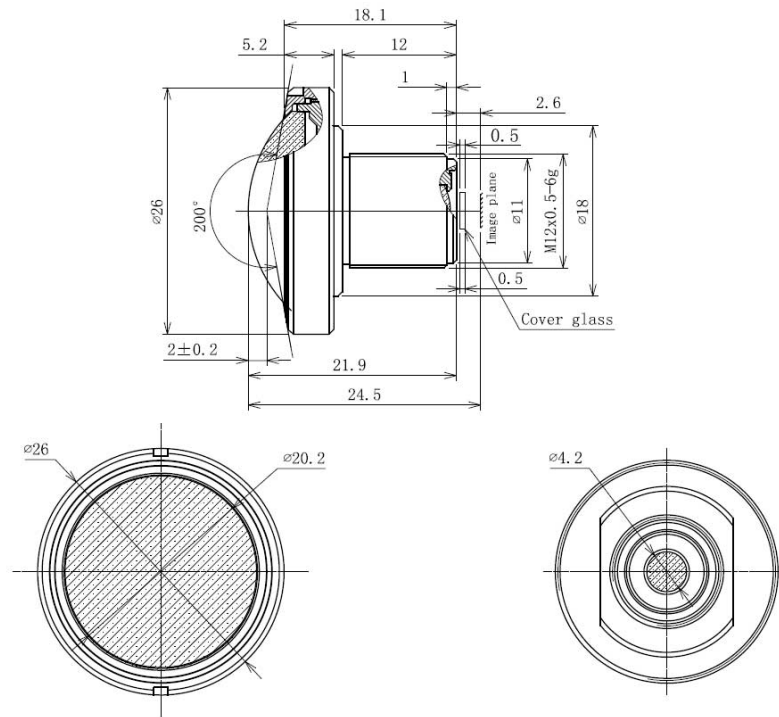


BF10M10526S132



The S-Mount lens Lensagon BF10M10526S132 is suitable for current sensors up to 10 megapixel with an image format of 1/3.2 inch.

Technical Data

Mount	S-Mount
Sensor	1/3.2 inch
Focal Length	1.05 mm
Aperture	2.4
MOD	0.1 m
Back Focal	3.2 mm
Angle of View	D:202° H:202° V:202°
Megapixel	10 MP
IR Cut Filter	No
Image Circle	3.46 mm
Weight	13.8 g
Iris	fixed
Focus	fixed
Chief ray angle	5.2 °
Typ	Fisheye



10 Megapixel