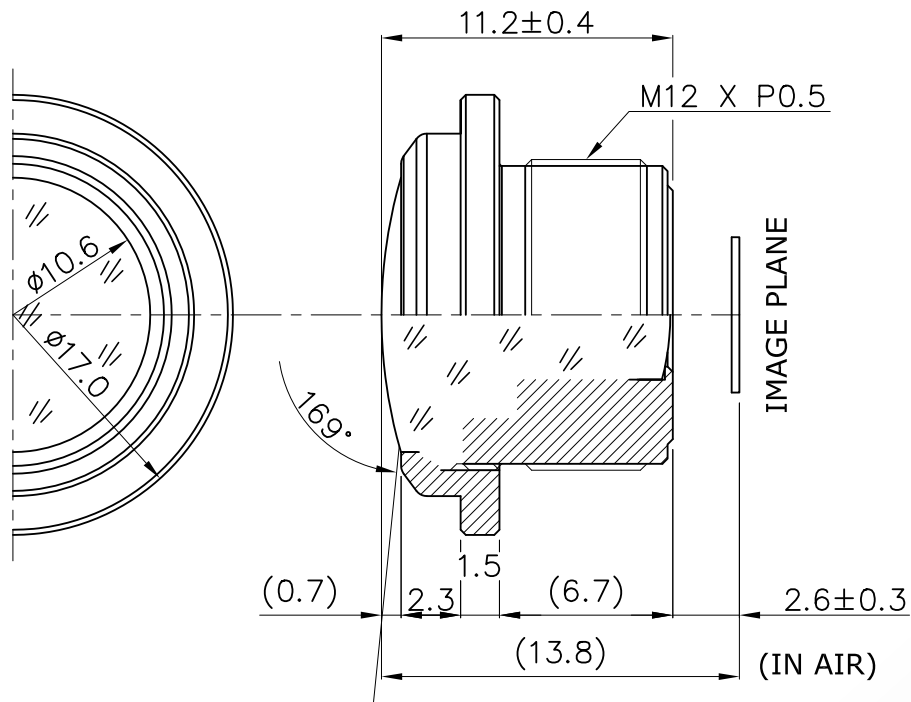


Lensagon BA2325WPC



The S-Mount lens Lensagon BA2325WPC is suitable for common sensors up to 1 megapixel with an image format of 1/3 inch. max. CRA 22.17°

Technical Data

Mount	S-Mount
Sensor	1/3 inch
Focal Length	2.3 mm
Aperture	2.5
MOD	0.2 m
Back Focal	2.7 mm
Angle of View	D:163.8° H:122° V:90.1°
Megapixel	1-2 MP
IR Correction	No
IR Cut Filter	Yes
Weight	6 g
Iris	fixed
Focus	fixed
Typ	Waterproof



1 Megapixel