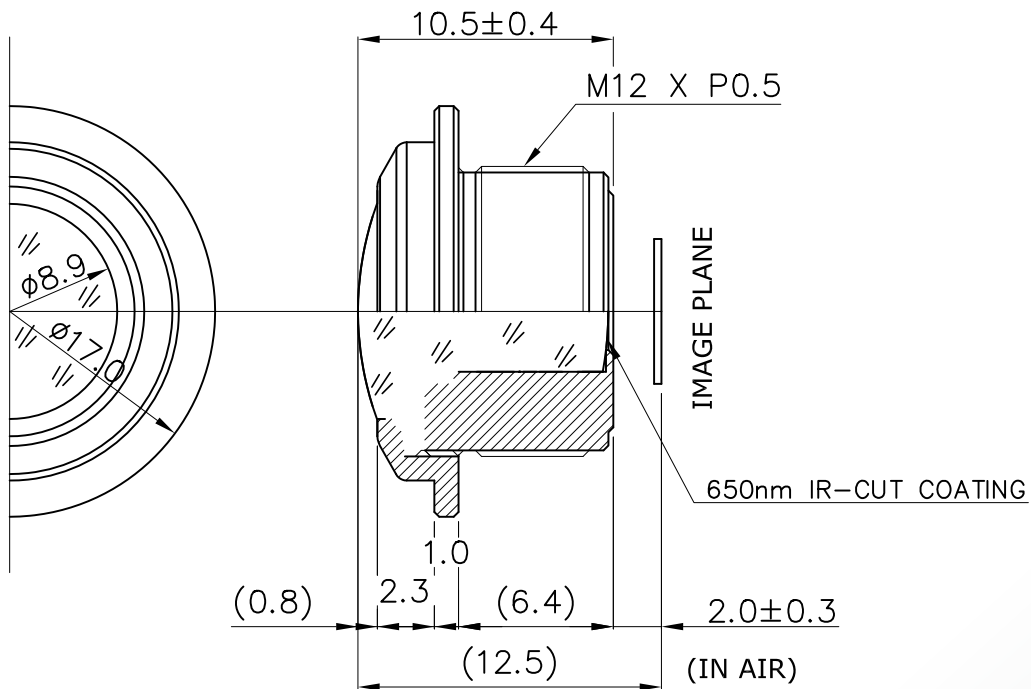


# Lensagon BA1825WPC



The S-Mount lens Lensagon BA1825WPC is suitable for common sensors up to 1 megapixel with an image format of 1/4 inch. Waterproof lens

## Technical Data

Mount	S-Mount
Sensor	1/4 inch
Focal Length	1.8 mm
Aperture	2.5
MOD	0.2 m
Back Focal	2.2 mm
Angle of View	D:160° H:120° V:90°
Megapixel	1-2 MP
IR Correction	No
IR Cut Filter	Yes
Weight	5.5 g
Iris	fixed
Focus	fixed
Typ	Waterproof



**1** Megapixel