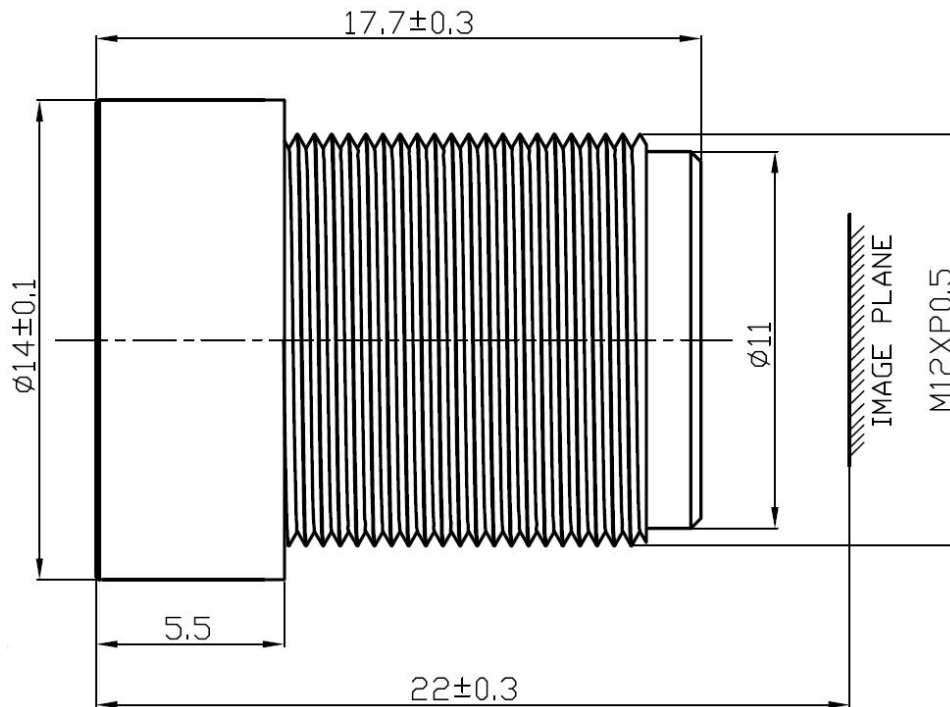


B5M41430ND



The S-Mount lens Lensagon B5M41430ND is suitable for common sensors up to 5 megapixel with an image format of 1/2.5 inch.

Technical Data

| | |
|--------------------|-------------------------|
| Mount | S-Mount |
| Sensor | 1/2.5 inch |
| Focal Length | 4.14 mm |
| Aperture | 3 |
| MOD | 0.2 m |
| Back Focal | 5.25 mm |
| Angle of View | D:81.1° H:68.8° V:54.4° |
| Megapixel | 5 MP |
| Optical Distortion | 0.2 % |
| Weight | 6.8 g |
| Iris | fixed |
| Focus | fixed |
| Typ | Standard |

5 Megapixel

