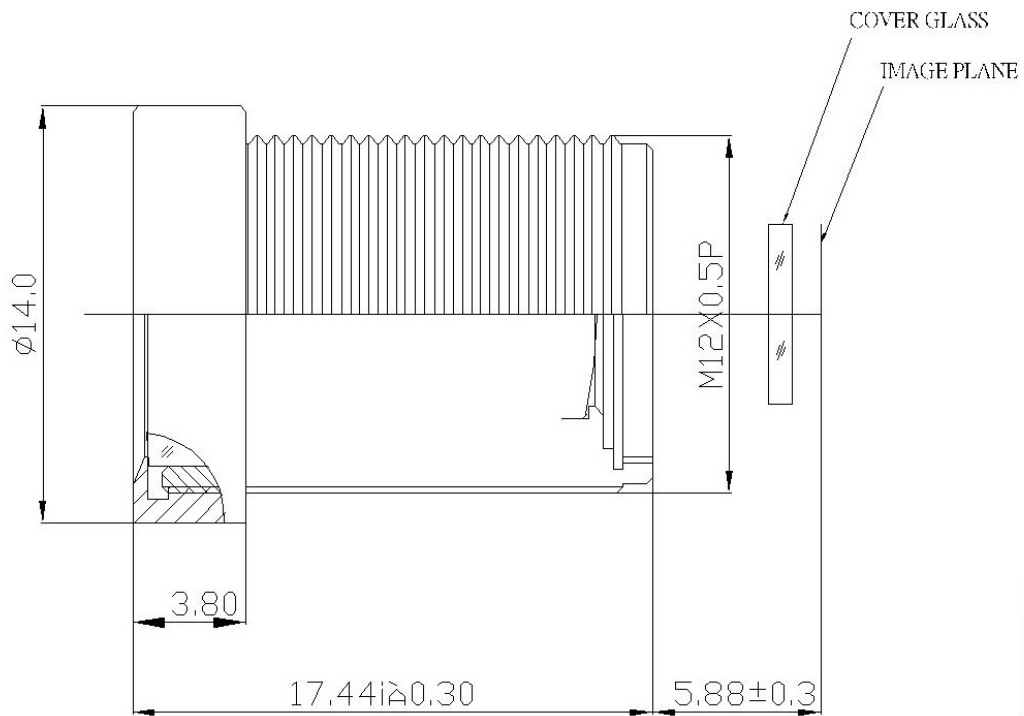


Lensagon B5M4018



The S-Mount lens Lensagon B5M4018 is suitable for common sensors up to 5 megapixel with an image format of 1/2.5 inch. It is characterized by a particularly high light intensity.

Technical Data

Mount	S-Mount
Sensor	1/2.5 inch
Focal Length	4 mm
Aperture	1.8
Back Focal	7.72 mm
Angle of View	D:112° H:86° V:63°
Megapixel	5 MP
IR Cut Filter	No
Image Circle	7.5 mm
Weight	5.3 g
Iris	fixed
Focus	fixed



Light Sensitive



5 Megapixel