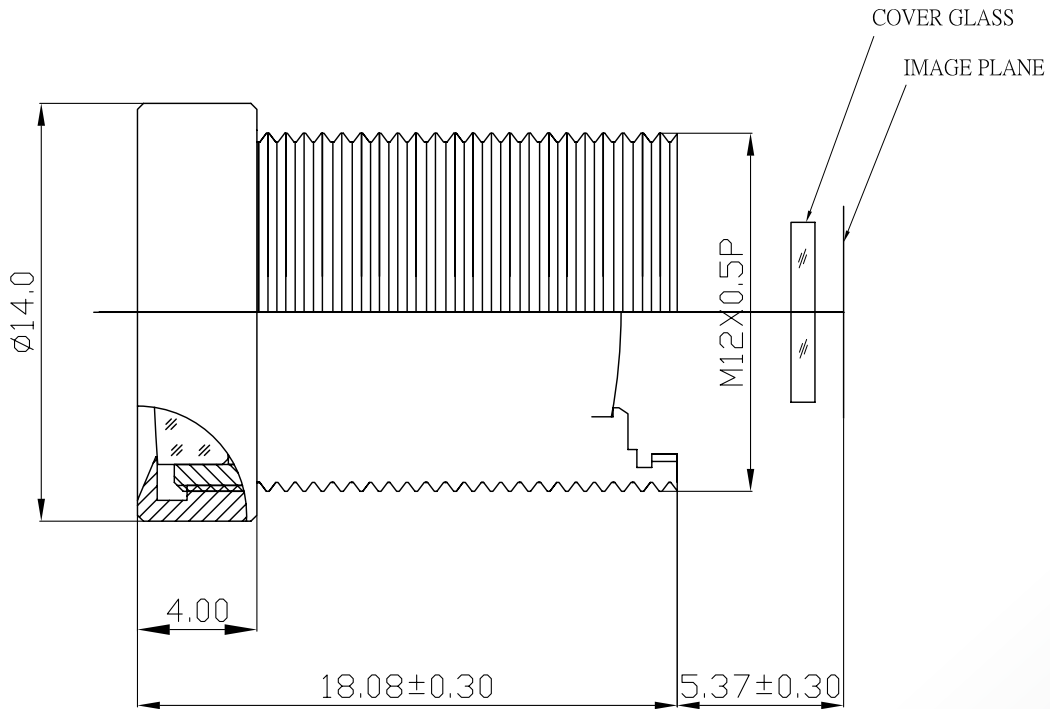


# Lensagon B5M3618



The S-Mount lens Lensagon B5M3618 is suitable for common sensors up to 5 megapixel with an image format of 1/2.5 inch. It is characterized by a particularly high light intensity.

## Technical Data

Mount	S-Mount
Sensor	1/2.5 inch
Focal Length	3.6 mm
Aperture	1.8
Back Focal	7.25 mm
Angle of View	D:128° H:96.4° V:69.8°
Megapixel	5 MP
IR Cut Filter	No
Optical Distortion	-0.5 %
Weight	5.7 g
Iris	fixed
Focus	fixed
Chief ray angle	11.7 °



Light Sensitive



5 Megapixel

