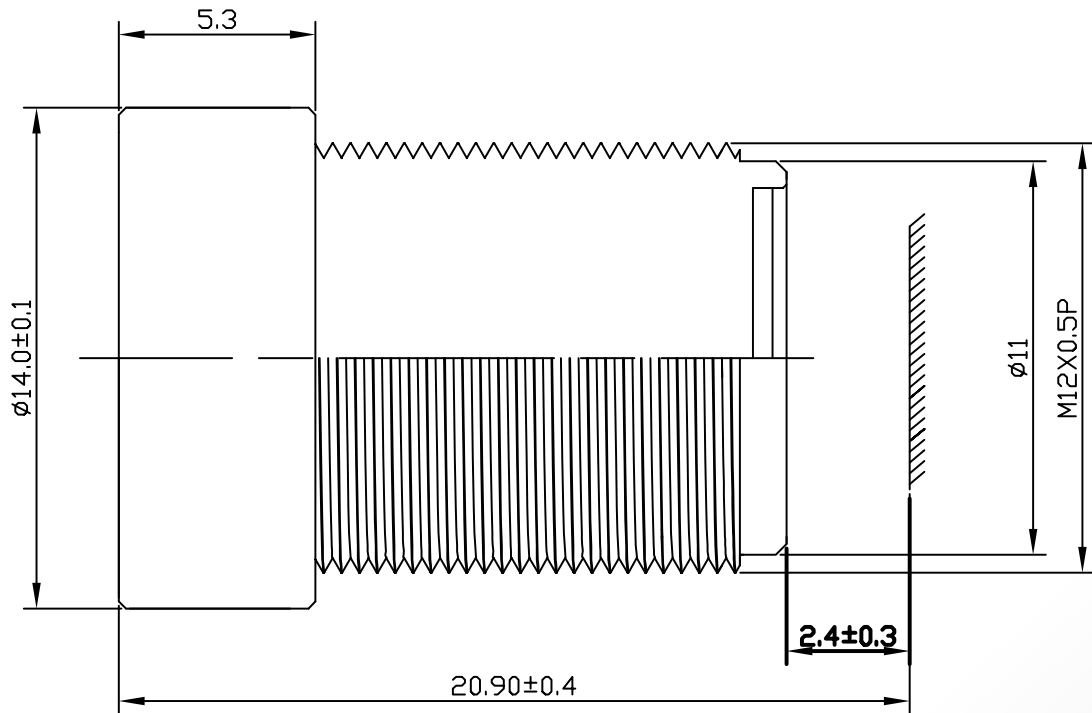


B5M29740NDC



The S-Mount lens Lensagon B5M29740NDC is suitable for common sensors up to 5 megapixel with an image format of 1/2.5 inch. Distance between front principal plane and front lens = 6.29mm. Distance between rear principal plane and sensor = -3.01mm.

Technical Data

Mount	S-Mount
Sensor	1/2.5 inch
Focal Length	2.97 mm
Aperture	4
MOD	0.2 m
Back Focal	3.5 mm
Angle of View	D:102° H:87.2° V:71.1°
Megapixel	5 MP
IR Correction	No
IR Cut Filter	Yes
Optical Distortion	1 %
Weight	3.4 g
Iris	fixed
Focus	fixed
Typ	Standard



5 Megapixel