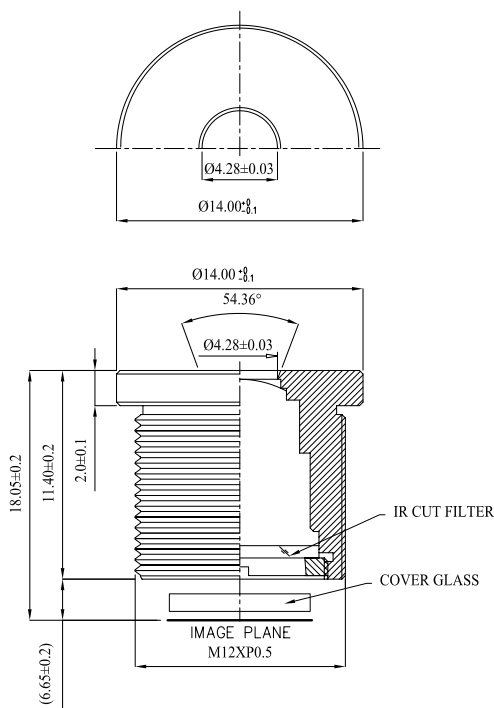


# Lensagon B5M12028C



The S-Mount lens Lensagon B5M12028C is suitable for common sensors up to 5 megapixel with an image format of 1/1.8 inch.

## Technical Data

Mount	S-Mount
Sensor	1/1.8 - 1/2 inch Sensor
Focal Length	12 mm
Aperture	2.8
MOD	0.1 m
Back Focal	8.567 mm
Angle of View	D:41° H:34.3° V:23.2°
Megapixel	5 MP
IR Correction	No
IR Cut Filter	Yes
Optical Distortion	-1.75 %
Weight	7.9 g
Iris	fixed
Focus	fixed
Typ	Standard



**5** Megapixel