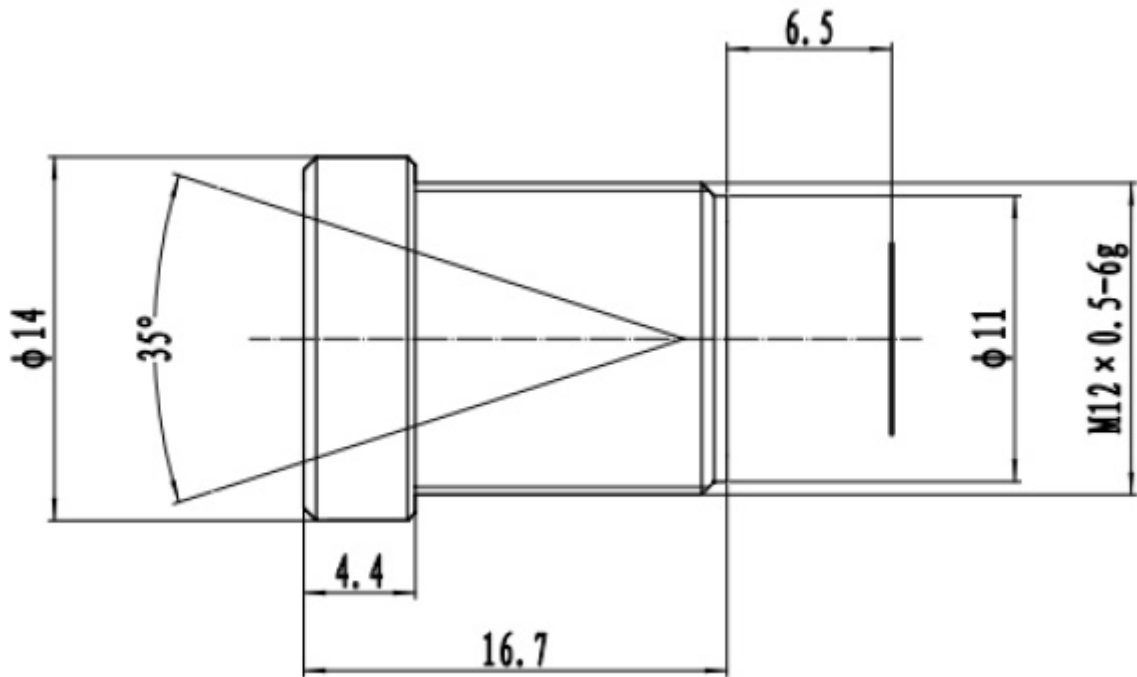


Lensagon B5M12020



The S-Mount lens Lensagon B5M12020 is suitable for common sensors up to 5 megapixel with an image format of 1/2.5 inch. It is characterized by a particularly high light intensity.

Technical Data

Mount	S-Mount
Sensor	1/2.5 inch
Focal Length	12 mm
Aperture	2
MOD	0.3 m
Back Focal	7.6 mm
Angle of View	D:35° H:28° V:21°
Megapixel	5 MP
IR Correction	Yes
Optical Distortion	-4.44 %
Image Circle	7.18 mm
Weight	4.7 g
Iris	fixed
Focus	fixed
Typ	Standard



Light Sensitive



5 Megapixel