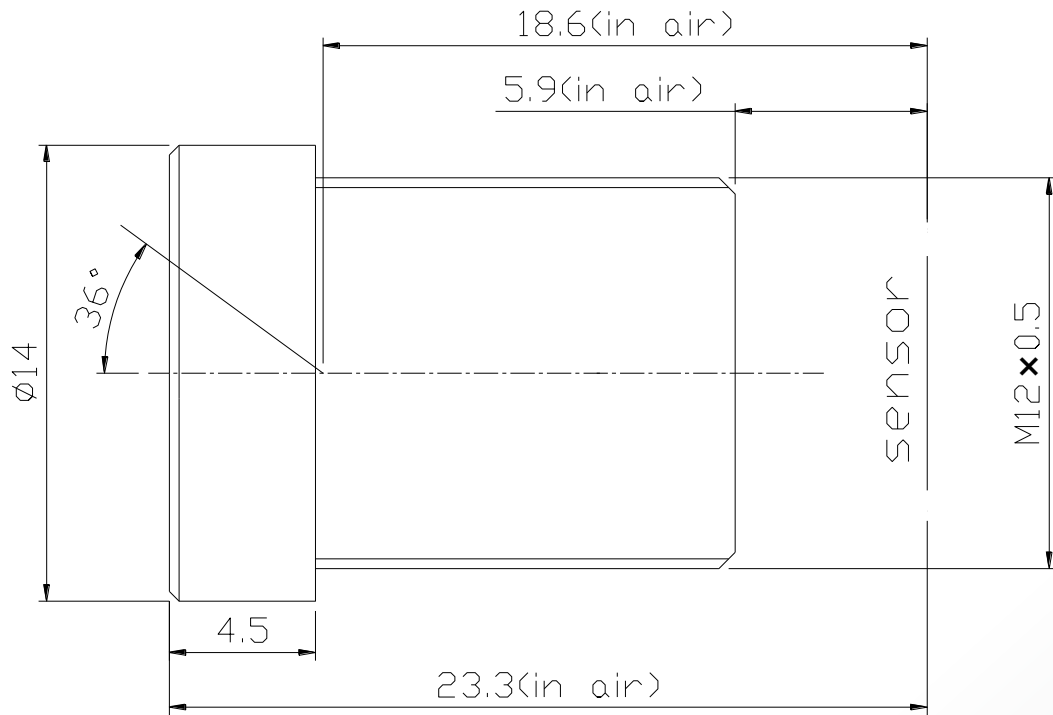


Lensagon B3M6016C



The S-Mount lens Lensagon B3M6016C is suitable for common sensors up to 3 megapixel with an image format of 1/2.5 inch.

Technical Data

Mount	S-Mount
Sensor	1/2.5 inch
Focal Length	6 mm
Aperture	2.2
MOD	0.3 m
Back Focal	6.7 mm
Angle of View	D:72° H:54° V:41°
Megapixel	3 MP
IR Cut Filter	Yes
Weight	5 g
Iris	fixed
Focus	fixed

3 Megapixel

