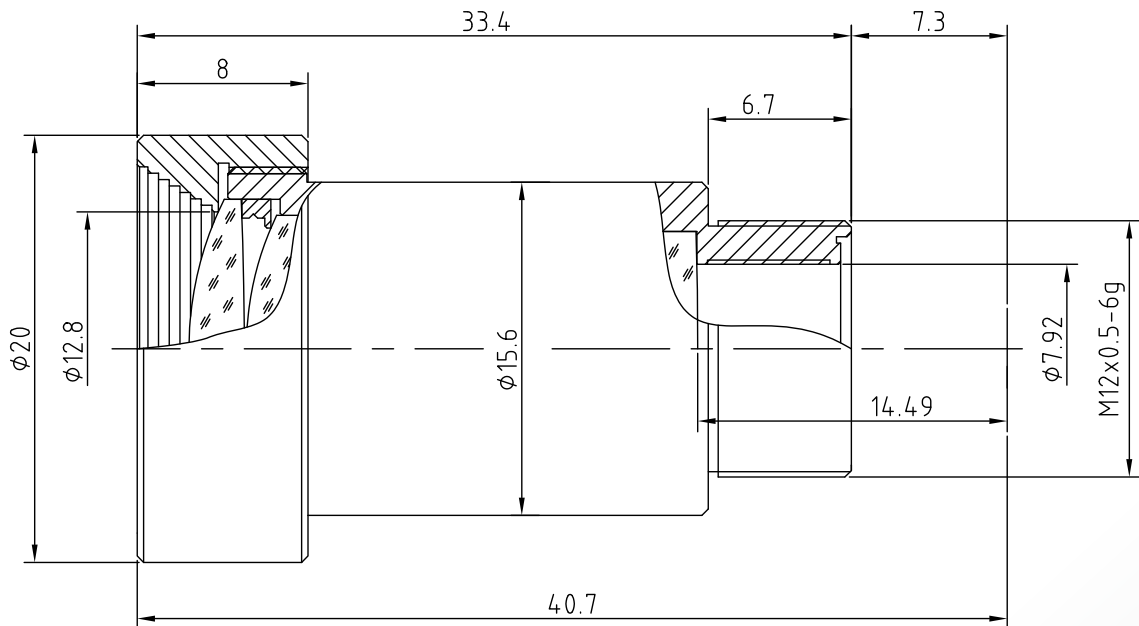


Lensagon B3M35025



The S-Mount lens Lensagon B3M35025 is suitable for common sensors up to 3 megapixel with an image format of 1/2 inch.

| Technical Data | |
|----------------|----------------------|
| Mount | S-Mount |
| Sensor | 1/2 inch |
| Focal Length | 35 mm |
| Aperture | 2.5 |
| MOD | 0.4 m |
| Back Focal | 14.49 mm |
| Angle of View | D:13.1° H:11° V:7.8° |
| Megapixel | 3 MP |
| IR Correction | Yes |
| IR Cut Filter | corrected |
| Weight | 15.7 g |
| Iris | fixed |
| Focus | fixed |
| Typ | Standard |



3 Megapixel