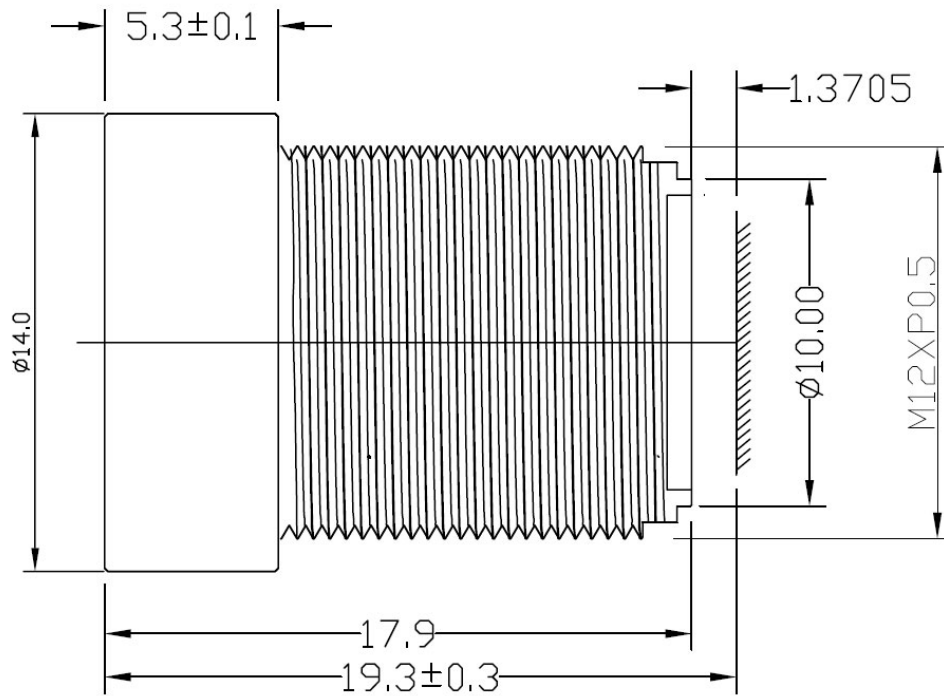


B3M21835ND



The S-Mount lens Lensagon B3M21835ND is suitable for common sensors up to 3 megapixel with an image format of 1/4 inch.

Technical Data

Mount	S-Mount
Sensor	1/4 inch
Focal Length	2 mm
Aperture	3.5
MOD	0.1 m
Back Focal	1.97 mm
Angle of View	D:97° H:74° V:56.5°
Megapixel	3 MP
IR Correction	No
IR Cut Filter	No
Optical Distortion	-0.6 %
Weight	4.2 g
Iris	fixed
Focus	fixed
Chief ray angle	15 °



3 Megapixel