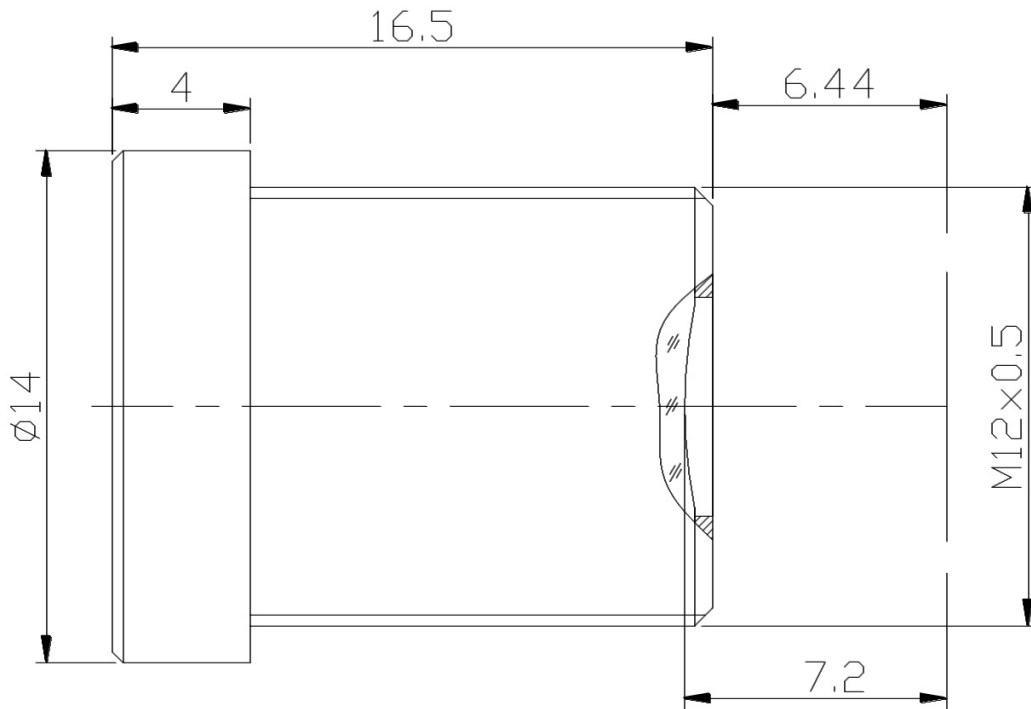


Lensagon B3M12016



The S-Mount lens Lensagon B3M12016 is suitable for common sensors up to 3 megapixel with an image format of 1/2.5 inch.

Technical Data

| | |
|--------------------|-------------------|
| Mount | S-Mount |
| Sensor | 1/2.5 inch |
| Focal Length | 12 mm |
| Aperture | 2.3 |
| MOD | 0.3 m |
| Back Focal | 7.2 mm |
| Angle of View | D:36° H:28° V:21° |
| Megapixel | 3 MP |
| IR Correction | Yes |
| IR Cut Filter | corrected |
| Optical Distortion | -6 % |
| Weight | 5.1 g |
| Iris | fixed |
| Focus | fixed |
| Typ | Standard |



3 Megapixel