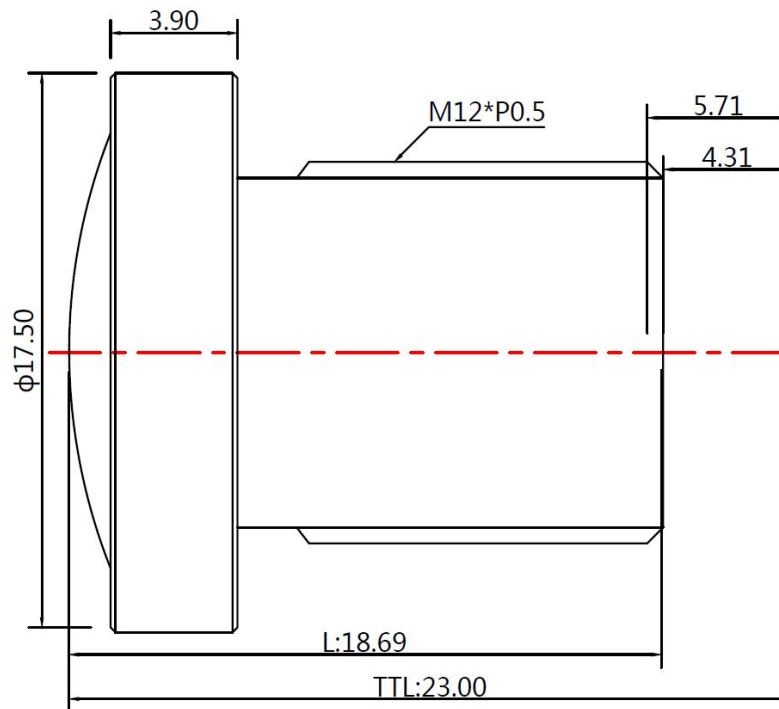


# B14M28620S123C



The S-Mount lens Lensagon B14M28620S123C is suitable for current sensors up to 14 megapixel with an image format of 1/2.3 inch.

## Technical Data

Mount	S-Mount
Sensor	1/2.3 inch
Focal Length	2.86 mm
Aperture	2.9
MOD	0.1 m
Back Focal	5.71 mm
Angle of View	D:170° H:135° V:95°
Megapixel	14 MP
IR Correction	No
IR Cut Filter	Yes
TV Distortion	-25 %
Image Circle	7.7 mm
Weight	7.4 g
Iris	fixed
Focus	fixed
Chief ray angle	15.3 °
Typ	Standard



**14** Megapixel