



# ZEISS Distagon T\* 2,8/25



## Features

- f/2.8 aperture
- Precise manual focusing
- Robust full-metal construction
- Fixation for focus and aperture
- Identical color reproduction of all models
- For industrial cameras with F-Mount up to sensor sizes of 24x36 mm or 43mm line sensors.
- Very short free working distance (60 mm)

### ZF-I: Industrial Edition

Features special screws to fix focus and aperture settings even in rough situations.

### Camera Mounts

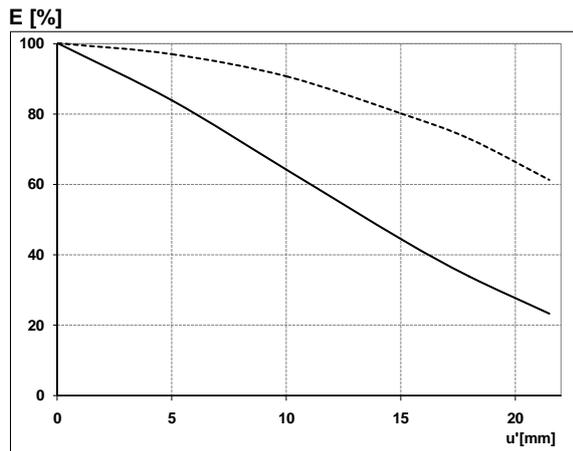
Available with ZF.2 and M42 mount.





# ZEISS Distagon T\* 2,8/25

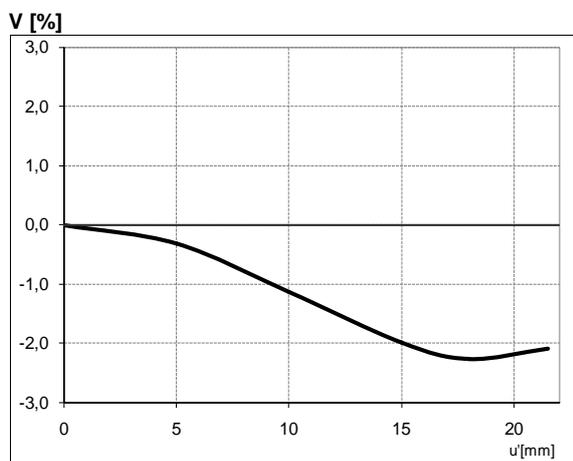
## Relative Illuminance\*



The relative illuminance shows the decrease in image brightness from the image center to the edge in percent.

— f-number 2.8  
... f-number 5.6

## Relative Distortion\*



The relative distortion shows the deviation of the actual image height from the ideal one in percent.

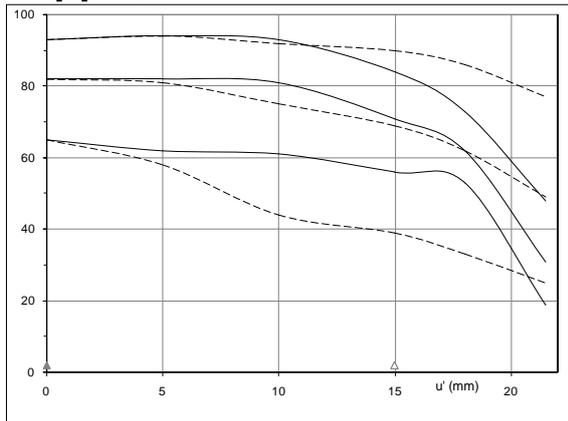
*\*Data for infinite focus setting*



# ZEISS Distagon T\* 2,8/25

## MTF Charts\*

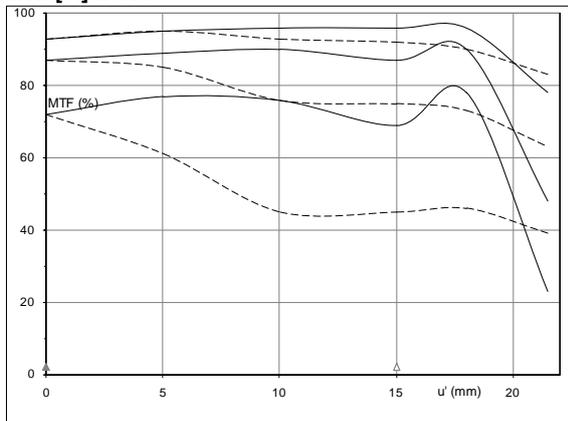
MTF [%] k=2.8



The Modulation Transfer (MTF) as a function of image height ( $u'$ ) and slit orientation (sagittal, tangential) has been measured with white light at spatial frequencies of  $R = 10, 20$  and  $40$  cycles/mm. The MTF charts are valid for the ZF, ZF-I version and for white light.

f-number 2.8  
— Sagittal  
... Tangential

MTF [%] k=5.6

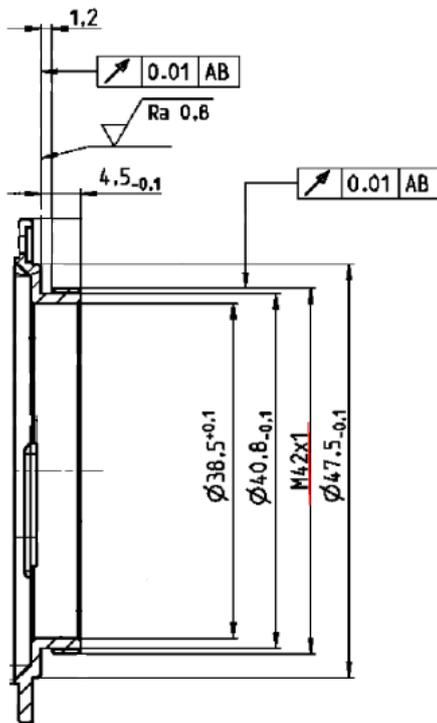


f-number 5.6  
— Sagittal  
... Tangential

*\*Data for infinite focus setting / Not for IR version*



# ZEISS Distagon T\* 2,8/25



M42 Mount for 45,5 mm Flange Focal Distance

*The diameter of the camera/lens adapter must not exceed 55 mm at the lens side!*