



ZEISS Apo Sonnar T* 2/135



Features

- Fast f/2.0 aperture
- Precise manual focusing
- Robust full-metal construction
- Identical color reproduction of all models
- For industrial cameras with F-Mount up to sensor sizes of 24x36 mm or 43mm line sensors.

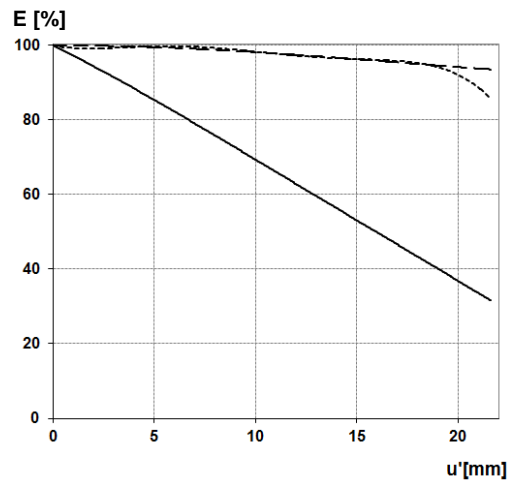
Camera Mounts

Available for other camera mounts such as EF, or M42 screw mount.



ZEISS Apo Sonnar T* 2/135

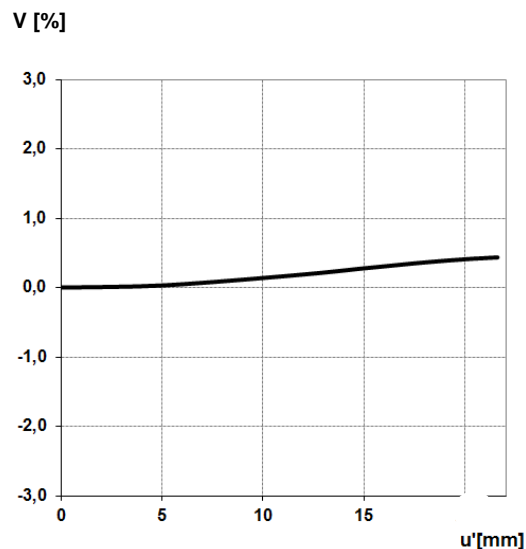
Relative Illuminance*



The relative illuminance shows the decrease in image brightness from the image center to the edge in percent.

— f-number = 2
... f-number = 4
- · - f-number = 4.8

Relative Distortion*



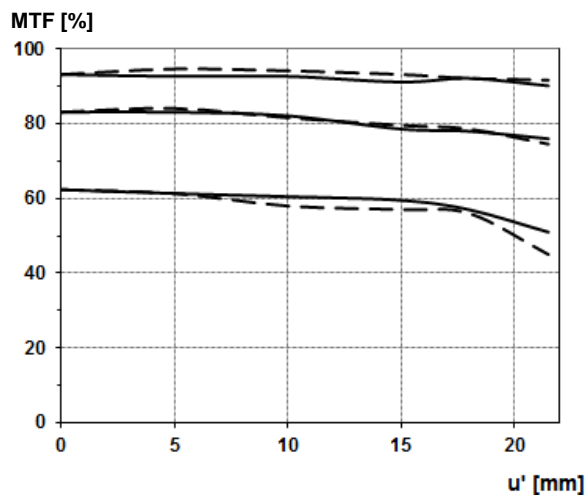
The relative distortion shows the deviation of the actual image height from the ideal one in percent.

*Data for infinite focus setting



ZEISS Apo Sonnar T* 2/135

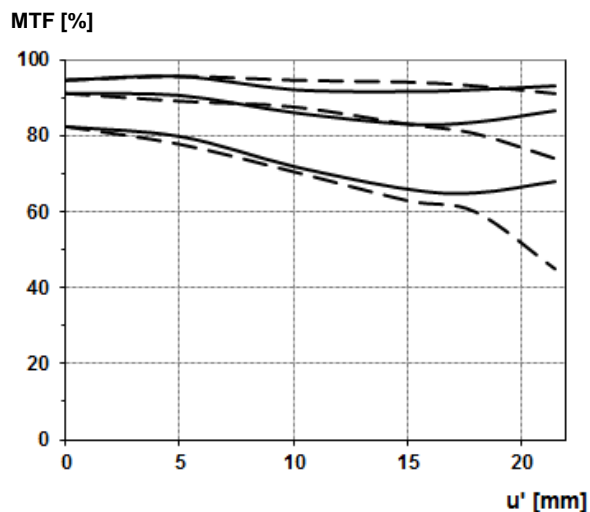
MTF Charts*



The Modulation Transfer (MTF) as a function of image height (u) and slit orientation (sagittal, tangential) has been measured with white light at spatial frequencies of $R = 10, 20$ and 40 cycles/mm.

f-number = 2

— Sagittal
... Tangential



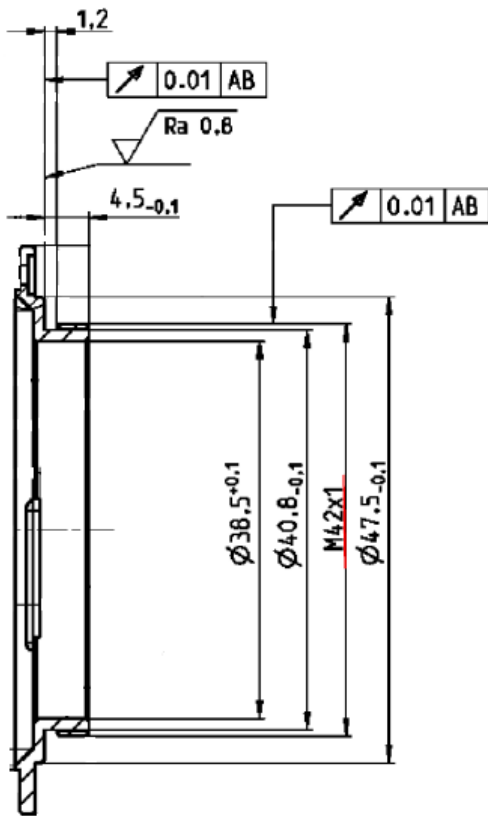
f-number = 4

— Sagittal
... Tangential

*Data for infinite focus setting



ZEISS Apo Sonnar T* 2/135



M42 Mount for 45,5 mm Flange Focal Distance

The diameter of the camera/lens adapter must not exceed 55 mm at the lens side!